

PACK RATS' CHEESE BITS



MT. AIRY V.H.F. RADIO CLUB, INC., PHILA., PA.
(50.2, 145.2, 221.4, 432.3 & 1296.3 Mc.)

CLUB CALL: W3CCX

AFFILIATED CLUB: AMERICAN RADIO RELAY LEAGUE

MEMBER CLUB: DELAWARE VALLEY COUNCIL OF AMATEUR RADIO CLUBS

MEETING NOTICES: LAST PAGE

VOLUME XI

JUNE 1968

NUMBER 6

OUR PREZ SEZ



Ladies Night, the 12th in a series, is over and those of you who attended know what a fine time it was and the Chairman of the event, John Tate (K3KTY), is to be commended for doing a very fine job once again. I forgot to acknowledge John for his efforts. Sorry about that old buddy, and I hope you will accept my apology. Just too many things going on and down, I guess.

JUNE QSO PARTY....June 8 and 9 at Hilltown, Pa. at the usual site. Proceed North on Route 152 out of Chalfont, Pa. and you will be passing the Buxmont Riding Association grounds after about five miles. Drop in for a visit during the weekend or drop in to assist the gang to get set-up on Friday night on the 7th of June. There will be a lot of activity up until midnight or so. All teams still need more helpers in any category. This is a fun affair and those of you who have not been a part of a deal like this will be pleasantly surprised. We are serious about winning this year, but there are always enough people around for some friendly chit-chat, and anybody arriving with refreshments of any sort will be even more welcome!!!

ELECTION TIME....Now is the time to say your piece and have a voice in selecting those whom you would like to run the club. The nominating committee has selected a slate of officers which appears elsewhere in this issue. Look it over and see if it meets with your approval. If not, do something about it....get another man and nominate him for the position. Stir around a bit and whip up some support for him and for those you would like to see elected. If you don't get involved, you will not only feel left out, you will be left out.

Continued on Page 2

OUR PREZ SEZ Continued

PACK RATS' CHEESE BITS is a publication of the Mt. Airy V.H.F. Radio Club, Inc., Philadelphia, Pa., and is published monthly.

10¢ per copy \$1.00 per year

We operate on an exchange basis with other publications and anything that is printed in CHEESE BITS may be reprinted, unless so stated, as long as the proper credit is given.

DEADLINE FOR ARTICLES IS THE 20TH OF EACH MONTH.

EDITOR:

ELLIOTT T. WEISMAN, K3JJZ
8533 ALGON AVENUE
PHILADELPHIA, PA. 19152
215 - PI 2-3525

TRUSTEE OF CLUB CALL: W3CCX

W3SAO, FRANCIS BRICK
821 W. LINDLEY AVENUE
PHILADELPHIA, PA. 19141
215 - DA 4-7524

PRINTER AND SUBSCRIPTION MANAGER:

K3GAS, DOC CUTTLER
7815 NEW SECOND STREET
PHILADELPHIA, PA. 19117
215 - ME 5-1078

AWARDS CHAIRMAN:

W2EIF, JOSEPH KILGORE
#5 SUNNYBROOK COURT
STRATFORD, N.J. 08084

DIRECTORS' MEETINGS ARE HELD ON THE SECOND WEDNESDAY OF EACH MONTH AT DESIGNATED LOCATIONS.

CODE PRACTICE:

7:00 to 7:30 P.M. MONDAY THROUGH FRIDAY, 50.2 MC. BY W3CL, HARRY STEIN.

MONDAY NIGHT NETS:

145.2 - 7:30 P.M.
50.2 - 8:30 P.M.
221.4 - 9:30 P.M.
432.3 - 10:30 P.M.

OFFICERS - 1967-1968:

PRESIDENT: W3LHF, DAVID ZIMMERMAN
VICE-PRES.: W3HSS, CHARLES LUSTICK
CORRES.SEC.: W3SAO, FRANCIS BRICK
REC. SEC.: K3ZPN, LLOYD SCHOENIG
TREASURER: W3MVF, DAVID BLOCH

DIRECTORS:

K3JJZ, ELLIOTT WEISMAN
W3MVF, PRESTON FUNK
W3KKN, ERNEST KENAS
K3UJD, MARIO FONTANA
K3CIV, RALPH HERSH
(Ex-Officio)

PHILADELPHIA COUNTY ARPSC:

E.C.: W3PST, WOODY HALDEMAN
1732 LONEY STREET
PHILADELPHIA, PA. 19111
215 - RA 5-1106

MEETINGS: FOURTH WEDNESDAY OF EACH MONTH AT 8:00 P.M.

Plans are being made now for the summer programs including a "White Elephant Sale" and an "Auction". Start thinking about both events and what items you may have for both. Also, the wheels for the picnic in August have started to turn, so if you would like to help, or if you have any ideas, let us know. The picnic chairman is George, W3HK, formerly W3ELI. Some jobs still open, so speak up.

W3LHF, Dave

SWAP SHOP

Conducted By: W3ZRR, Ray Whitehead
4534 N. Smedley St.
Phila., Pa. 19140
215 - 324-5910

FOR SALE

-Hammarlund HQ 110AC, 160 - 6 M with clock and speaker. \$140 or make offer
-Globe Chief Deluxe 80-10 M. \$25

CONTACT: WA3IHV, Robert Reichman
514 Winding Way
Merion, Pa. 19066
MO 7-5291

FOR SALE

-24" RCA Victor TV with stand VHF only. \$50 or swap for what have you.
-8" RCA Victor portable TV, VHF only. \$25 or swap for some more what have you.
-National NC-125 RCVR Broadcast to 30 MC. \$50 or swap.

CONTACT: K3JJZ, Elliott Weisman
8533 Algon Avenue
Philadelphia, Pa. 19152
PI 2-3525

PACK RAT QUESTIONNAIRE

1. I am/am not a member of ARRL
2. I am/am not interested in joining ARRL
3. I am/am not a member of MARS
4. I am/am not interested in joining MARS
5. I am/am not a member of RACES
6. I am/am not interested in joining RACES
7. I am/am not a member of ARPSC
8. I am/am not interested in joining ARPSC

Cross out appropriate word and return to W3HK as soon as possible.

73,
George

PACK RATS

Mt. Airy VHF Radio Club

13th Annual Family Day and Picnic

WHEN? Sunday, August 11 (Rain Date: August 18) 10 A. M.

WHERE? Fort Washington State Park, Flourtown, Pa.

PRICE? \$2.00 Per Family (Payable at the Park Only)

YOU BRING THE FOOD, WE SUPPLY THE FUN, GIFTS AND SODA.

W3CCX/3 TALK-IN FREQUENCY: 50.2 Mcs. & 145.2 Mcs. from the park.

In Case of Rain, Pack Rat Stations Will Be On the Air Starting at 6:30 A.M. Same Frequencies.

State Law Prohibits Alcoholic Beverages!!! Please Co-Operate!!!



RATS

FOLLOW THIS SIGN

Using the Pennsylvania Turnpike: Get Off at the Fort Washington Exit and Follow the Rat Signs.

Using Route 309 (South): Bear to the Left at the Ambler Sign, Just South of Route 63 and Follow the Rat Signs.

Using Route 73 (Either Way): Turn at Bethlehem Pike and Follow the Rat Signs Using Germantown Pike or Germantown Avenue: Follow the Signs at Bethlehem Pike.

Using Stenton Avenue (West) Follow the Rat Signs at Bethlehem Pike.

Using Stenton Avenue (East) Follow the Rat Sign at Mill Road.

Signs Will Be Posted at Mill Road and Bethlehem Pike Where You Turn for the Park Entrance.

SPEND A DAY IN THE SUN!!

COME ONE!

COME ALL!

PACK RAT DIRECTORIES AVAILABLE AT THE PARK

ALSO PRESENT DELAWARE VALLEY CHAPTER Q. C. W. A.

FOR FURTHER INFORMATION CONTACT:

W3HK, GEO. VAN DYKE, JR.
4607 CONVENT LANE
PHILA., PA. 19114
PICNIC CHAIRMAN

FROM WHERE I SIT

K3JJZ, Elliott Weisman, Editor

How about that now! After fighting with the Board for several months, I've lost. I am no longer Chairman of the Editorial Board, I am the editor. So be it. To confirm it they gave me a plaque that says so. Well, we have a few comments that will indicate only the editor's feelings about CHEESE BITS.

Bear in mind first of all that CHEESE BITS is a club paper, and as such should represent the thinking of the entire club. We fail miserably. We have a club with 90 active members, 1 or 2 student members, 10 to 15 retired members and, get this now, 10, that's right only 10, members who have written anything for CHEESE BITS in the past 9 months. So what in fact does CHEESE BITS represent? The thinking of 10 individuals. Gang, if we had that kind of participation in the January contest we wouldn't even get on the scoreboard. Here we are, the World Champion V.H.F. Club for the past 8 years, and it looks like we are not willing to support our paper. I can't believe that champions behave that way.

CHEESE BITS is a team effort. It shall remain so as long as I am editor. I am only asking for a larger team. You say "What could I write?" I can go through the Pack Rat directory and find a suitable topic for everyone, yes everyone, in the club. If you doubt this, corner me at the next meeting, or even call me on the land line for a topic to write on.

So much for articles. Now I would like to divert to news. Many of our retired members cannot make meetings or listen to the nets. Their sole contact with the club is CHEESE BITS. If anyone knows the smallest bit of news which could be of interest, please write it down and mail it to me. Do not, I repeat, do not call my XYL on the land line and rely on her passing the information on. Do not call me on the land line and rely on me translating the conversation. Do send me the information written legibly enough so that our typist can transcribe it.

I would hope that before 1969 we will have had several issues of CHEESE BITS which were completely written by Pack Rats members of the World Champion Mt. Airy V.H.F. Radio Club, Inc.

73,
E1

KNOW YOUR CONSTITUTION
W3SAO, Frankie Brick

The objects of this club shall be:

1. To form a body of men interested in the use of the very high frequency radio spectrum as a means of communication.
2. To encourage participation in communication contests with other radio amateurs and radio clubs in the United States and other countries.
3. To assist in every honorable way the desires of our fellow club members to secure better and more reliable radio communication and test equipment.
4. To encourage the application of highest engineering knowledge and standards in the design, construction and use of radio communication equipment.
5. To promote an interchange of ideas and technical information between members and to assist each other in the design, construction and adjustment of radio equipment.

WHAT EVER HAPPENED TO K3YPL
K3WEU, Paul Behrmann

Nick (K3YPL) has been appointed Assistant Pastor (to the College Pastor) at Antioch College for the year 1968-1969 to serve full time there in connection with the internship program of the Hebrew Union College. Nick finishes the third of his five year program this June at HUC. This Antioch position will therefore extend to six years total, before Nick is actually ordained.

Nick has been one of three assistants to the Pastor this year (one Catholic, one Protestant and one Jewish [Nick]..he has also taught at Antioch as well as acting in the role of Pastor. Next year, instead of it being a one day per week position..it will be full time and his work expanded. He expects to be somewhat more active on the air..since he is likely to have more time without studies and examinations, and paper deadlines to meet. Antioch is approximately 70 miles from Cincinnati...at Yellow Springs, Ohio.

K3WEU, Paul

EIA AMATEUR RADIO STUDY PARES SALES TO \$16 MILLION

By Marc Raizman

From Electronic News

NEW YORK - For years whenever a radio amateur equipment manufacturer was asked to estimate the total annual market for this product line, his answer was generally between \$30 million and \$40 million.

It now appears this figure was overoptimistic. Recently an EIA group, after polling the significant producers, arrived at the preliminary conclusion that today's annual market for "ham" equipment is really about \$16 million annually.

One problem in trying to arrive at a meaningful figure has been to define a "ham" sale. For example, many buy ham receivers because they want the best available short-wave radio and don't care what it costs them. Should such a sale be considered a ham sale?

Another problem of definition has been whether citizens band radios should be considered radio amateur equipment?

There is consensus, however, in one area. The market has not been growing, nor even keeping up with population growth.

Notwithstanding, a handful of newcomers have established a foothold and are actively pursuing a greater share of the market.

The newcomers have done well because they have introduced state-of-the-art equipment (solid-state, for example), which apparently is what the radio amateur wants.

The old established names have been too preoccupied with Government contracts to cater to or worry about the ham market.

Rediscovery Due

But the situation is likely to change drastically. With peace (or semi-peace) a possibility, many old timers will "rediscover" the non-military, consumer market, as they did after World War II.

Many of their engineers who have been working on exotic communications techniques for the military may find free time to devote to the neglected ham field.

The future of amateur radio in this country, saddled with congested bands, will depend largely on what the FCC does about the spectrum.

On one thing everyone agrees. Ham radio, its equipment, its excitement, should be promoted on a very large scale.

How else will new blood be attracted to the depleting ranks? One major task will be to attract users of citizen band radio and walkie-talkies into radio amateur ranks.

Continued on Page 5

Ease Qualifications

The Electronic Industries Association committee on radio amateur equipment has suggested the FCC could reduce license requirements for neophytes.

Another task will be to interest special groups throughout the nation. Senior citizens and handicapped persons are especially apt candidates for the radio amateur hobby.

The job will not be easy. The country has changed and today's youth have more options on things to do and how to spend their money than their father's generation.

Manufacturers believe one of the basic human traits is the urge to communicate.

What better vehicle than ham equipment, they ask?

TWO METER ACTIVITY
W3LHF, David Zimmerman

This month and next are the traditional start of the summer DX season on Two. Not that the band conditions in any way respect tradition, but the people do. You will hear a few more of the old timers and the DX men active on the band. They all know that the band can break at any time, and that regular checking is a must. Also, they will be around in bunches during the periods of the regular meteor showers keeping the pre-arranged schedules; but what is more important, they stick around at times and work the bands.

MORNING ACTIVITY...the group who have been keeping schedules on the band shifts from time to time as interests and work schedules change. Some of the old ones are still in effect...K2RDI in Albany, N.Y. has been talking to his brother near New York City, K2QPY for about ten years, that I know of, every morning just after 07:00 with W2GVW north of Albany checking in at 07:25. Al, W2NKO in Brooklyn on NBFM works a series of skeds starting with WA3CBC in Md. at 08:45 with WA3GMK in Md., W3HB in D.C. at 10:45 with K3SLV, WA2PMW, WA2MRE, and a few others checking in during the morning hours. W2HF, Herb, in West Point, N.Y. checks in many mornings and also at lunch time. I point out this activity, not because it is rare or unusual, but to inform the gang that there is a lot going on during the day. Check in some time and meet a few fellows that you may not work during the evening.

Getting to be too many things going on at my shack to catch all the band openings and the Spring trout season has been very good, but I do manage to find a few. Most of the time when I find a good contact, my first impression of the band is that it's dead!! Not so, but you have to try, and you have to listen, and you have to call CQ a few times. April 27 I got on and worked W1JSM in Mass. which I can do at most any time (when he's on!), but immediately after I was called by W1YTW followed by K1MTJ, both in Maine and about S-5. Also, heard a VE1 and a VE2 but both in QSO and the band folded before they finished.

Antenna season is now on us, and I have arranged to get my drill jigs back for the special antennas I make. Anyone interested in home-brewing antennas for Two, please let me know.....73 and

CU on 2...Dave

MEMBERSHIP

Applied for Membership

- WA3JSR, Ben Ginsburg - Sponsored by W3HK and K3WEU
- WA3HVL, Donald Derosa - Sponsored by W3IA and K3DLS

Silent Keys

- K3NCN, George Kelley and W3DRC, Tom Tomlinson

AUTOMATIC ELECTRONIC KEYS
W3LHF, David Zimmerman

The subject of Automatic Electronic Keys has been a popular one with me since 1948 when the first practical model was described in October QST. I built this model, and spent several months practicing with it before I had nerve enough to try it on the air. The reason for my hesitation was that several earlier models had played pretty well when given complete attention, but when the mind was diverted such as during a QSO, anything but readable code resulted. The new model and all later models, including the one described in this issue, were different. The difference is in the self-completing feature. The minimum unit that can be sent is a dot-and-space, or a dash-and-space. Getting the right number of each and getting the combinations of each for the character desired requires practice, but the self-completing feature puts you on the right track.

The circuit printed in this issue was first described by W9TO, and expanded on by a variety of others including several manufacturers, some of whom have tried to patent it. I have built a number of slightly different versions, but feel the circuit shown (Hallicrafters Inc. HA-1 Keyer) is the equal of any and has all the desirable features. This is the circuit in the present keyer at my shack which was built by W3BU and acquired when the club disposed of the estate for Stan's XYL.

The main feature of the circuit is a dot and space generator, followed by a counting circuit which counts two dots and two spaces to generate a dash. There is a keyer tube to operate the mercury wetted relay used to key the self-contained monitor and the keyed circuit in your rig. Controls consist of a speed control, a weight control for the dot to space ratio, a balance control which is adjusted until dashes are formed, and a sidetone level control. The mode switch allows for continuous keying of the rig, in addition to providing for high-low speed range and power on-off.

Construction of this keyer is without complications. Lead lengths are not critical. Component values have a wide tolerance. Shielding of the unit is required only for a high powered station, and then only in moderate amounts. Several different relays have been used, and some have other terminal connections than shown on the drawing. Also, some employ magnetic bias so that current direction through the coil affects the pull in current and it may be necessary to reverse the winding. Any mercury-wetted contact relay that I have seen can be used if the coil resistance is around 3000 to 6000 ohms. A number of 2 meg resistors are used in the circuit and one watters are recommended because of the tendency of these beavers to change value with age.

A SPDT keying lever is required. Any type may be used in accord with your taste and wallet. Commercial versions are available from about \$20 or so, in the middle is a surplus modified bug (temporary or permanent modifications) and at the bottom of the list is the clamped hacksaw blade with stripped relay contacts left-over from the days of the "Cootie" key. All will produce nice clean CW sounding much like that sent by machine. Sloppy CW cannot be sent with a key of this type. However, practice is needed. Send to yourself from a book, and practice the formation of a sequence of characters such as numbers. About fifteen minutes or so a day for a couple of weeks will put you in the expert class. It's like anything else, you get out what you put into it in the way of effort. Anyone building a key can count on help in de-bugging if needed.

73,
Dave

FROM SPURIOUS RADIATION - ROCKAWAY ARC

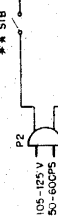
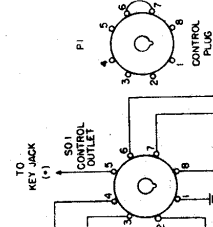
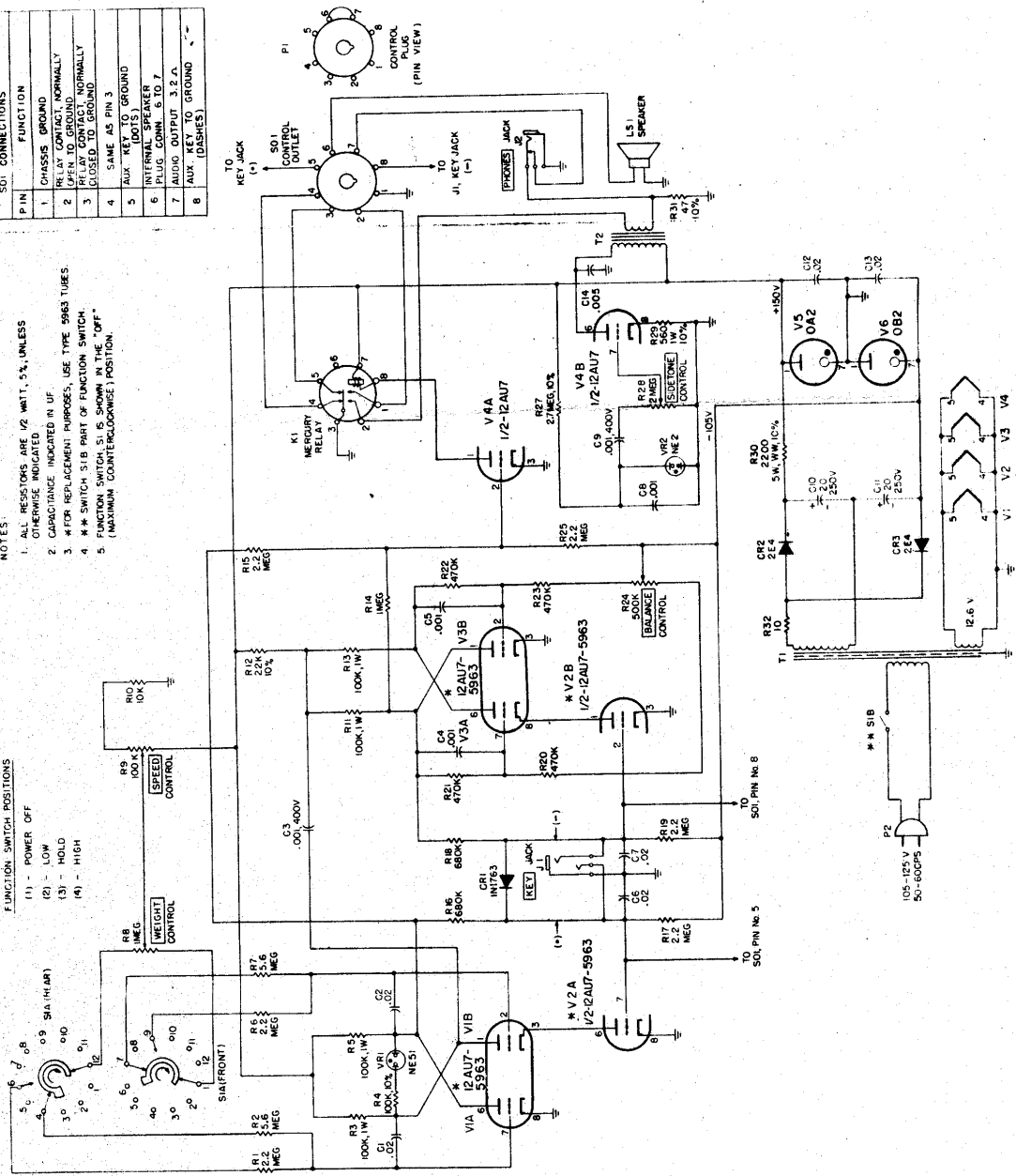
Any man who thinks marriage is a 50-50 proposition, doesn't understand two things: women or fractions.
Something you get for nothing is usually worth it.

PIN	FUNCTION
1	CHASSIS GROUND
2	RELAY CONTACT, NORMALLY OPEN TO GROUND
3	RELAY CONTACT, NORMALLY CLOSED TO GROUND
4	SAME AS PIN 3
5	AUX KEY TO GROUND (DOTS)
6	INTERNAL SPEAKER PLUG CONN. 5 TO 7
7	AUDIO OUTPUT 3.2 A
8	AUX KEY TO GROUND (DASHES)

- NOTES:
1. ALL RESISTORS ARE 1/2 WATT, 5%, UNLESS OTHERWISE INDICATED
 2. CAPACITANCE INDICATED IN UF
 3. * FOR REPLACEMENT PURPOSES, USE TYPE 6863 TUBES.
 4. ** SWITCH S1B PART OF FUNCTION SWITCH.
 5. FUNCTION SWITCH S1 IS SHOWN IN THE "OFF" (MIDRANGE) POSITION.

FUNCTION SWITCH POSITIONS

- (1) - POWER OFF
- (2) - LOW
- (3) - HOLD
- (4) - HIGH



DID YOU KNOW THAT

WA3BIV, Carl Barrish now has an advanced class license.

WA3CQO, Jay Jacobson is now a general.

K3NCN, George Kelly, a former Pack Rat, passed away last month.

W3HK, George VanDyke submitted a blurb on the EPA appointees spring dinner. Unfortunately the dinner will have already been held by the time this issue reaches you. How about a little advance notice George. Coming Soon - The Pack Rats Family Day and Picnic at the Ft. Washington State Park, Flourtown, Pa., August 11. \$2 per family.

On June 8 and 9, in addition to the usual gear at Hilltown site, a 2300 MC station will be operated by K3UJD, Mario Fontana.

WA3CAG, Dave Funk and XYL Floss announce a new boy harmonic. Congrats also to Grandpop and Grandmom, W3MFY Pres Funk and XYL Eve.

Pack Rat QSL cards are available for \$3.75/100 from the Little Print Shop, P.O. Box 9363, Austin, Texas 78757.

W3MFY, Pres Funk is chairman of the transmitter hunt committee. He will be assisted by W3KKN, Ernie Kenas.

K3IUUV, Bert Soltoff won in the election last month and is now a Committeeman. "Be alert vote for Bert" paid off.

The August meeting will be at the QTH of W3MFY, Pres Funk. Ladies are invited.

W3IA, Tom Coyne is out of the hospital after surgery and is traveling the recovery road.

K3IPM, Stan Smith and XYL Barbara have a new TL harmonic born on Mothers Day.

K3HWZ, Grandpa Bill McCutcheon signed into his last Pack Rat net from the Feasterville QTH on May 13. Bill and Marie are leaving for Florida, and if the band opens we might hear him on the 6 meter net again. Best of luck to you both.

Note to the exchange papers in the Florida area: Grab this guy if you can, they don't make any better club members any place.

W3CJU, Don Hampton now has an advanced class license.

W3BVR, Ted Leaf is now home from the hospital.

The Pack Rats are 12 years old and K3MXM, Lee Cohen and WA3ERQ, John Gallagher supplied a birthday cake at the May meeting. The candles were blown out by No. 2 Windbag K3UJD, Mario Fontana because No. 1 Windbag W3CL, Harry Stein got lost.

DID YOU KNOW THAT Continued

K3WGJ, Bruce Cooper will graduate from Temple University with a B.S. in Communications. He was recently elected to Sigma Delta Chi, National Professional Journalistic Society.

MEETING NOTICES

The next DIRECTORS MEETING will be held at the QTH of W3SAO, Frankie Brick, 821 West Lindley Avenue, Philadelphia, Pa. on Wednesday, June 12 at 9 p.m.

The next GENERAL MEETING will be held at the West Oak Lane Jewish Community Center, Sedgewick and Thouron Streets, on Wednesday, June 19 at 8 p.m. Speaker will be W2OQN, Wally Brown, who will talk on sideband heterodyne units. Also, at this meeting ELECTIONS.

ELECTION OF OFFICERS - JUNE 1968

The following have been nominated for office:

For President
 K3HSS, Charles Lustick
 W3LHF, Dave Zimmerman

For Vice President
 K3JJZ, Elliott Weisman
 W3MFY, Pres Funk
 K3HSS, Charles Lustick

For Corresponding Secretary
 W3SAO, Frankie Brick

For Recording Secretary
 K3ZPN, Lloyd Schoenig

For Treasurer
 W3MVF, Dave Bloch

For Director
 W3CJU, Don Hampton
 K3DUC, Phil Delano
 K3KTY, John Tate

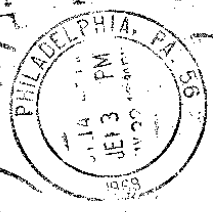
Please note that additional nominations will be accepted on election night.

FROM HAM MONITOR

Those remarkable computers won't really be lifelike until one of them makes a mistake and tries to blame it on another machine.

You can't fool all of the people all of the time but those highway signs come pretty close.

PACK RATS CHEESE BETS
8533 ALGON AVE
PHILA. PA.
19152



Ernest Kenas
2823 Old Welsh Rd.
Willow Grove, Pa. 19090

MEETING NOTICE

[Faint, mostly illegible text, likely the body of the meeting notice]