

PACK RATS'



PACK RATS

CLUB CALL: W3CCX

MT. AIRY VHF RADIO CLUB, INC.

CHEESE BITS



MT. AIRY VHF RADIO CLUB, INC., PHILADELPHIA, PA.

ARNS

50/125, 144.150, 220.125, 432.110, 1296.110 MHz, W3CCX - Repeater 222.98/224.58 MHz

Affiliated Club: AMERICAN RADIO RELAY LEAGUE

Meetings: Third Thursday of each month at 8:00 P.M.

Southampton Free Library, 947 E. Street Road
Southampton, Pennsylvania 19866

VOLUME XXV

MAY, 1983

NUMBER 5

THE VICE-PREZ SEZ (again)

By mutual agreement (I had the shortest straw), I'm guest hosting the Prez Sez column a second time. Bill is suffering from a heavy work schedule at the present time but should be firmly back in the saddle by next month.

The March club meeting was another well presented demonstration by two of our own members. WA3AAJ and WA3JUF gave a very informative presentation on amateur radio uses of home computers. Judging from the intense concentration during Jim's talk, he may have gathered a few recruits to the new computer age of RTTY.

Quite a bit of contest related news has developed in the past few weeks. First contest "old": The Pack-Rats have again successfully defended their title as champions of the January VHF SS with an official score of 1,324,882 points. As the 1983 contest chairman, I would like to congratulate Ron, WA3AXV on regaining his crown by taking top honors in the event. More importantly, I wish to thank all of the unsung heroes; the dedicated Pack-Rats who year after year battle the QRM and frozen rotators to create a thus far unbroken record of January SS victories.

Now for the contest "present": The Spring Sprints already under our belt. For those who missed it; there's still time to collect a few grid squares in the upcoming 432, 1296 and 6 meter sprints listed elsewhere in Cheese-Bits.

Finally contest "future": As a change of pace, the Pack-Rats will be operating W3CCX in the August UHF Contest. As always, your help is desperately needed to make this a successful and enjoyable event. If you're ready to have some fun on the UHF/Microwave Bands, contact W3HQT, WA3JUF, or myself.

The May meeting on the 19th is ARRL NITE with QST "Happenings Editor" Carol L. Smith, AJ2I Hugh A. Turnbull, W3ABC Atlantic Division Director and possibly Mark Wilson, AA2Z as our guests. Could the League be bearing gifts? Come out and see!

Phil, WA3NUF

Pack Rats CHEESE BITS is a publication of
THE MT. AIRY VHF RADIO CLUB, INC.
Philadelphia, Pa. and is published monthly.

SUBSCRIPTION RATE - \$2.50 PER YEAR

We operate on an exchange basis with other
publications. Anything that is printed in
CHEESE BITS may be reprinted, unless other-
wise stated, provided that proper credit
is given.

SWAP SHOP ITEMS - NO CHARGE

DEADLINE FOR ARTICLES IS THE GENERAL
MEMBERSHIP MEETING: THE THIRD THURSDAY
OF THE MONTH

EDITOR:

W3CL, HARRY B. STEIN
2087 Parkdale Avenue
Glenside, Pa. 19038
215-887-5052

PUBLISHER/SUBSCRIPTION MANAGER:

K3GAS, DOC CUTLER
7815 New Second Street
Elkins Park, Pa. 19117
215-635-1078

PRINTER:

WB2VLA, DAVID POWER
609-882-1040

TYPIST:

WA3TEM, MARSHA LISSAUER

TRUSTEE OF CLUB CALL W3CCX

WA3AXV, RONALD WHITSEL
215-355-5730

AWARDS CHAIRMAN:

W2EIF, JOSEPH KILGORE
609-783-9478

CLUB HISTORIAN:

W3CL, HARRY B. STEIN

MONDAY NIGHT NETS NET CONTROL

7:30 PM - 50.125 MHZ	W3CL
8:00 PM - 144.150 MHZ	W2EIF
8:30 PM - 222.98/224.58	K3GAS
9:00 PM - 432.1 MHZ	K3IUV-WA2DPU
9:30 PM - 1296.025 MHZ	W3CXU

PACK RAT REPEATER 222.98/224.58 MHZ

LOCATED IN CHURCHVILLE, PA.

OFFICERS: 1982-1983

PRESIDENT: K3KTY, JOHN TATE
VICE-PRES: WA2DPU, BILL SMITH
COR. SECY: W3ZD, DAVE ZIMMERMAN
REC. SECY: W3NSI, LYN ROWLAND
TREASURER: K3GAS, DOC CUTLER
DIRECTORS: W3IIT, HARRY BROWN
WB2RVX, MIKE GALLO (2 yrs)
WB2VLA, DAVE POWER (2 yrs)
WA3JUF, DAVE MASCARO (1 yr)
WA3NUF, PHIL MIGUELEZ (1 yr)

FREE ESTIMATES
(215) 672-3850
(215) 822-0808



MICHAEL McMACKIN

REGISTERED PLUMBING & HEATING
BATHROOM INSTALLATIONS • ELECTRIC DRAIN CLEANING

96 HELLBERG AVE.
CHALFONT, PA. 18914

2405 PARKSIDE AVE.
HATBORO, PA. 19040

1-802-478-2757

AMATEUR
and
ADVANCED
COMMUNICATIONS



G. B. WALLS

3208 CONCORD PIKE (RT. 202)
WILMINGTON, DEL. 19803



**Pennsylvania Institute
of Technology**

PAUL D. MERCADO

Chairperson, Drafting Design Department

(215) 352-7100
(215) 528-6998

414 SANSOM STREET
UPPER DARBY, PA. 19082

Amateur Radio Equipment
Sales & Service

(609) 386-2348

D.P.U. ENTERPRISES

Antennas • VHF Amplifiers • Accessories

KLM

MIRAGE

Bill Smith
WA2DPU

47 Langdon Road
Burlington, NJ 08016

CALENDAR OF COMM. EVENTS
Syllabus by Lee, K3MXX

MAY

- 1 MAY DAY/LAW DAY
- 2 Bergen ARC Hamfest - Bergen Community College, Paramus, N.J.
- 4 432 MHz Sprint Nite - 6 PM to midnite
- 6 Lakehurst N.J. still remembers the Hindenburg Zeppelin Explosion 1937
- 7 Southern Tier Hamfest - Owego, N.Y.
- 7 Everyone drinks Mint Julips Today - its Kentucky Derby Day
- 8 MOTHERS DAY
- 9 National Police Week
- 12 1296 MHz Sprint Nite - 6 PM to midnite
- 12 Board of Directors Meeting - QTH, K3KKN, Ernie Kenas, 2823 Old Welsh Road, Willow Grove, Pa. Directors and interested parties always welcome.
- 13-15 Ninth Annual Eastern VHF/UHF Conference, Nashua, NH.
- 14 Banquet and Ladies Nite - Warrington Motor Lodge, Warrington, Pa. Rt. 611 & Rt. 132
- Warminster ARC Hamfest - Middletown Grange Fairgrounds, Wrightstown, Pa. A very good local hamfest, only a short distance from the city and well worth attending and giving our support to a good neighbor Hamclub
- 17 Primary Election Day - "Throw the Bums Out"
- 19 General Club Meeting - ARRL Nite - Special Guest Speaker from the League, Carol L. Smith, AJ2I, Happenings Editor. Also meet Hugh A. Turnbull, W3ABC, Atlantic Division Director. 6 PM Dinner at the Buck Hotel, Feasterville, Pa. Mario's Raffle, Frankie's Silent Auction, Refreshments. Visitors always welcome. Bring another Ham as your guest and he will forever grateful for the opportunity of meeting with the Pack-Rats.
- 21 50 MHz Sprint nite - 6 PM to midnite
- 21 Rochester, N.Y. Hamfest
- 22 Reading, Pa. Hamfest - Hamburg, Pa.
- 21-22 Armed Forces Day - Communicate with the various armed forces via cross band modes. See April QST Page 86 for full details. Special QSL cards.
- 22 Pentecost/Whitsunday
- 29 Maryland FM Assoc. Hamfest; Howard County Fairgrounds, Harmans, Md.
- 30 Memorial Day Celebrated

LAST CALL FOR DUES!!

NEW PRODUCTS OF INTEREST TO HAMS.

By Lyn, W3NSI

1. TRANSIENT VOLTAGE PROTECTOR: The Kalglo Co. makes a line of spike suppressors which in normal use would be plugged into an AC outlet and provide a set of 3 prong outlets into which other equipment may be connected. The new PLA 175 is designed to be used at the service entrance on the house load side. This provides protection to all circuits in the home. It is suggested that an additional spike protector and filter be used right at the operating table as well. The average AC system in the home is hit by about 100 transients having a peak voltage of 1000, and at least one peak of 5000 volts, in any given year. Solid state equipment starts to break down when plugged into lines having peaks of 600 and above. The spike protectors absorb this spike energy and bring the voltage down to within safe levels. Cost - PLA 175 \$52, Colony Drive Ind. Park, Bethlehem, PA. 18017
2. THREE BAND VHF/UHF ANTENNA: The Tuned Antenna Co. (see last month) has another antenna of interest to the ham. The Super Rod #3 is a magnetic mount unit with coax cable attached. The base is supplied with three whips to cover 144, 220, and 440 MHz. The fiber glass whips are changed by twisting the thumb screw at the base & sliding the 1/4 wave rod out of the assembly. Cost \$20 - 9520 Chesapeake Dr., San Diego, CA 92123
3. GLOBESCAN SHORTWAVE CONVERTER: Grove Enterprises, Inc. is selling their CVR-2 shortwave converter to be used with aircraft type scanner receivers. These scanners cover 118-136 MHz to pick up the AM signals from planes and control towers. The CVR-2 converts the 4-22 MHz short wave band to this VHF range. Using a programmable scanner, it would be possible to set up a group of 10-40 frequencies in the 4-22 MHz range. Some scanners such as the Radio Shack units will allow coverage down through the BC band. Indications are that the unit could also be used with a 2 meter multimode to receive CW and SSB on the HF frequencies. Cost \$79 (\$71 if you subscribe to Monitoring Times, published by Grove) (sub. \$9.50), 140 Dog Branch Rd., Brasstown, N.C. 28902.

* * *

UHF/VHF REPORT

By Joe, W2EIF

The bands have been quiet this Spring, activity continues to be low on all bands. 2 meters usually has activity during the evening hours around 144.2.

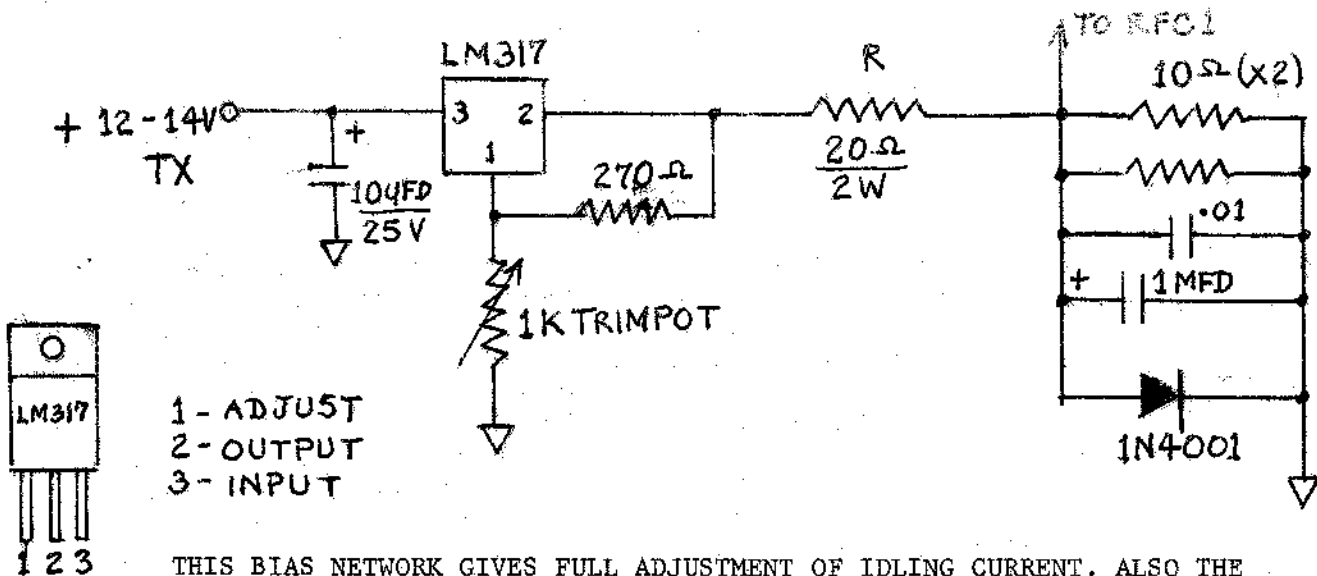
The Spring Sprints sponsored by ARRL seem to have gotten off to a good start with the 2 meter event of April 17-18 showing good activity. I stayed in the affair from start to finish and although conditions were poor, contacts could be made into W.Pa. VE3, WNY, Virginia and into New England. The activity continued from start to finish. Scores probably will not be large. If you made 200 contacts and 20 grid squares, count yourself among the high scorers. The 220 activity on Tues. nite and the new Pack-Rat net at 220.125 has dropped during the past several weeks. Don't complain about the activity if you do not get on the air. Leaving "someone else" to keep the bands active can result in our losing them!

* * *

JANUARY VHF SS INFORMATION

A confirmed report from ARRL Headquarters gives the Pack-Rats a final score of 1,324,882 points. Hi-scorer, WA3AXV, WA2DPU, 2nd; W3HQT, 3rd. Seven of the top ten nationally are Pack-Rats. (Tnx AA2Z & WA3NUF)

BIAS MODIFICATION TO 220 MHZ LINEAR



THIS BIAS NETWORK GIVES FULL ADJUSTMENT OF IDLING CURRENT. ALSO THE DROPPING RESISTOR CAN BE A LOT SMALLER IN WATTAGE. THIS MAY BE USED FOR ANY AMPLIFIER.

WA3JUF

* * *

VISITORS APRIL 21, 1983 MEETING

W3COZ - George, Phila., Pa.
 KA3B - Harry, Phila., Pa.
 N3CX - Dave, Finland, Pa.
 W3RCL - Nels, Hatboro, Pa.
 W4AV - Phil Catona, Pitman, N.J.

KA2NYF - Janet, Deptford, N.J.
 W3QFI, Tom, Horsham, Pa.
 KA3FBP - Frank, Warminster, Pa.
 WB3EFO - Ed Lee, Huntingdon Valley, Pa.

* * *

TID BITS

Sunwatcher, Jack Power, W2AXU, reports the monthly sunspot No. for March 1983 = 66.5 - smoothed No. for September 1982 = 100.6.

Received an FB note from Earl, N3EG (now living in Glendale, CA) reports activity on VHF. In the September QSO party he won a single band award for the LA section on 50 MHz with 14 QSO's in 4 sections --- wow! He sent electronic tuning tools which were distributed at our last meeting - Tnx Earl.

Howard, K3HW now living in Nashua, NH invites any of Pack-Rats attending the N.E. Conference May 13-15 to drop in and have an eyeball with him.

Tnx to W2AXU for supplying maidenhead squares chart at the last meeting. If you need a copy I have a few at this QTH (W3CL).

K3ESL, Ben Gindin, we are happy to report, is recovered from a recent heart attack. Stay well OB.

WA3MXX, John reports his call is being bootlegged on 2 meter FM by someone with a Spanish accent. John asks you to be on the lookout for this individual.

Condolences to Tom Mathews (Ex W3WIJ) K4IJC on the recent loss of his wife Mildred.

We are also saddened to report that Mike Fekete became a silent key on March 4, 1983. Our condolences to his family. K2QOS his call.

Congratulations to Lynda, daughter of Doc, K3GAS and Pack-Rat N3MW, Charley Craft on completing the 26 mile Penn Relay Marathon on April 17, 1983.

IMPORTANT NOTICE TO PENNSYLVANIA WAGE

House Bill No. 49 was introduced to the GENERAL ASSEMBLY on January 25, 1983 by Representative Benj. H. Wilson (WA3ACB) and referred to the committee on local government January 26, 1983.

The Bill reads as follows:

AN ACT

Amending the act of July 31, 1968 (P.L. 805, No. 247), entitled, as amended, "An act to empower cities of the second class A, and third class, boroughs, incorporated towns, townships of the first and second classes including those within a county of the second class and counties of the second class A through eighth classes, individually or jointly, to plan their development and to govern the same by zoning, subdivision and land development ordinances, planned residential development and other ordinances, by official maps, by the reservation of certain land for future public purpose and by the acquisition of such land; to promote the conservation of energy through the use of planning practices and to promote the effective utilization of renewable energy sources; providing for the establishment of planning commissions, planning departments, planning committees and zoning hearing boards, authorizing them to charge fees, make inspections and hold public hearings; providing for appropriations, appeals to courts and penalties for violations; and repealing acts and parts of acts," prohibiting zoning ordinances which exclude or restrict amateur radio antennas or towers.

The General Assembly of the Commonwealth of Pennsylvania hereby enacts as follows:

Section 1. The act of July 31, 1968 (P.L. 805, No. 247), known as the Pennsylvania Municipalities Planning Code, is amended by adding a section to read:

Section 603.1. Ordinance Excluding Amateur Radio Antennas and Towers Prohibited.--No zoning ordinance shall exclude or restrict the erection, location or height of an amateur radio antenna, or the tower supporting such antenna. An ordinance may regulate the construction or maintenance of an antenna tower, but only to the extent as is necessary to protect life or property.

Section 2. This act shall take effect in six months.

It is important you write to your local State Representative asking him to back up Bill #49. It is also necessary to send copies of your letter to the following local government committee members and mail to the box number and Harrisburg, Pa. 17120:

The Honorable Lester K. Fryer, Majority Chairman	P.O. Box 82
The Honorable Roger F. Duffy	P.O. Box 171
The Honorable John Showers	P.O. Box 9
The Honorable Ron Gamble	P.O. Box 153
The Honorable Nicholas A. Colafella	P.O. Box 76
The Honorable Roy C. Afflerbach	P.O. Box 113
The Honorable William E. Baldwin	P.O. Box 24
The Honorable Robert E. Belfonti, Jr.	P.O. Box 98
The Honorable John H. Broujos	P.O. Box 99
The Honorable Tony DeLuca	P.O. Box 136
The Honorable Stanley J. Jarolin	P.O. Box 44
The Honorable David J. Mayernik	P.O. Box 119
The Honorable Ruth C. Rudy	P.O. Box 115
The Honorable John N. Wosniak	P.O. Box 133
The Honorable A. Carville Foster, Jr. Minority Chairman	P.O. Box 31
The Honorable William D. Mackowski	P.O. Box 37
The Honorable Nicholas J. Micozzie	P.O. Box 40
The Honorable Joseph Levi, II	P.O. Box 87
The Honorable Mario J. Civera, Jr.	P.O. Box 39
The Honorable Frank J. Marmion, Jr.	P.O. Box 198
The Honorable Charles F. Nahill, Jr.	P.O. Box 176
The Honorable George E. Saurman	P.O. Box 158
The Honorable Terry R. Scheetz	P.O. Box 108
The Honorable Donald W. Snyder	P.O. Box 163

Tnx, K3SRO

SWAP SHOP

FOR SALE: Kenwood TS 600 w/Vox3, Tempo 6I-T
kie/talkie w/leather case & rubber ducky.
Computer Goodies: Ohio Scientific GZ-4P
computer & 24K expansion memory board w/full
documentation; acoustic coupled 300 baud
modem; direct connect modem 300 baud auto
ans./orig., printer 200 cps dot matrix
tractor-feed, full width-commercial quality.

CONTACT: Bruce Loss, WA3YUE
Phone: 215-947-4166 (Home)
215-542-2966 (Work)

WANTED: 2 mtr. and/or 6 mtr Ant. Tuner.
(even if not in working order) please
help to find one!

CONTACT: John, WA3MXX
Phone: 215-332-9114

FOR SALE: Regency TME 8H/U scanner -
covers two bands - 144 - 174 MHz & 440-470
MHz. 8 channels - instruction manual & 8
2 mtr xtals -- 146.73, .91, .94, .97, .76,
.79, 147.03, .79 - \$45. Regency ACT C4U UHF 4
cannel scanner. Covers 440-470 MHz. Instruction
book & 453.95 Phila. Police xtal. \$20 (Both
radios can be used on AC or 12 VDC - both
exc. condx)

CONTACT: Lyn Rowland, W3NSI
Phone: Phila. 215-742-7695
N.J. 201-255-5998

FOR SALE: Drake 2-C rcvr & 2C-5 spkr console -
mint condx, recently serviced by R.L. Drake -
with 2-C manual \$200. Tymeter 24 Hr. digital
clock \$6.

CONTACT: Bob Wilderman, K3SRO
19 Glen Road
Lansdale, Pa. 19446
Phone: 215-822-7474

FOR SALE: NYE Viking Matching Network,
MBII - \$190. Shure 526T series II with
vox mod. \$40. Turner amateur H/L mic. hi/
lo-Z \$25. Superex stereo headphones, mono.
adapter \$35.

CONTACT: Jay Miller, KS2T
527 Woodview Road
Toms River, N.J. 08753
Phone: 201-244-7623

FOR SALE: TS-520 S mint condx. \$525
10-15-20 Mtr. Wilson Monobanders \$690 for
the package.

CONTACT: Craig, WA2TMZ
Phone: 201-244-3488 (eveings)

FOR SALE: KWM-2 w/waters Q-multiplier/
notch filterplus 136B-2 noise blanker
installed. Collins 312-B VFO/spkr unit.
516F-2 pwr sply - manuals. Excellent condx.
make offer. Collins 75A4 rcvr w/extra
filters \$300. Excellent working condx.
Collins 70E-8H PTO w/dial assembly. Collins
70E-17 PTO (2.5 - 3.5 Mhz); Collins PTO
(1-1.5 MHz) make offers.

CONTACT: Harry Stein, W3CL
2087 Parkdale Avenue
Glenside, Pa. 19038
Phone: 215-887-5052

FOR SALE: Rohn #6 Roof tower - complete
top section, rotor plate w/roof mtg.
angles plus 10" steel mast \$20.

CONTACT: Harry Stein, W3CL
Phone: 215-887-5052

NOTICE: Tony, K3UKW advises that his
"Cowtown" fleamarket venture has been
cancelled.

* * *

ARRL BULLETIN NR 30 FROM ARRL HEADQUARTERS NEWINGTON CT APRIL 18, 1983 TO ALL RADIO
AMATEURS BT

Astronaut Owen Garriott, W5LFL, will operate an Amateur Radio station aboard the next
Space Shuttle mission, scheduled for September 1983. On April 16, NASA officially approved
a joint ARRL/AMSAT proposal to include an amateur radio station aboard the STS 9/Spacelab
flight. The joint ARRL/AMSAT proposal calls for ARRL to furnish the special Amateur Radio
equipment for use on the shuttle, and to organize and coach amateurs in procedures for
rapid and efficient communications with the shuttle. This operation, which will be on
2 meter fm, will mark the first time in the history of space exploration that the general
public will be able to communicate directly with an astronaut in orbit. Details will be
forthcoming in QST AR

PRESS RELEASE

The Foundation for Amateur Radio, Inc. a non-profit organization with headquarters in Washington, D.C., plans to award ten (10) scholarships for the academic year 1983-1984. The Foundation, composed of fifty local area amateur radio clubs, fully funds two of these scholarships from the proceeds of the Gaithersburg (MD) Hamfest. It administers, without cost to the donors, two scholarships for the Quarter Century Wireless Association and one each for the Richard G. Chichester Memorial, the Radio Club of America, the Young Ladies' Radio League, the Edmund B. Redington Memorial, the Amateur Radio News Service and the Columbia (MD) Amateur Radio Association.

Licensed Radio Amateurs may compete for one or more of these awards if they plan to pursue a full-time course of studies beyond high school and are enrolled or have been accepted for enrollment in an accredited university, college or technical school. Most of the scholarships require the applicant to hold at least an FCC General Class license or equivalent. The scholarship awards range from \$300 to \$900 with preference given in some of them to residents of specified geographical areas or the pursuit of certain study programs.

Additional information and an application form can be requested by a letter or QSL/postcard, postmarked prior to May 31, 1983 from the scholarship committee chairman: Hugh A. Turnbull, W3ABC, 6903 Rhode Island Avenue, College Park, MD 20740

The Foundation is devoted exclusively to promoting the interests of Amateur Radio and to the scientific, literary and educational pursuits that advance the purposes of the Amateur Radio Service.

* * *

AMATEUR RADIO FELLOWSHIP MEETING

"The Future of Amateur Radio" as discussed on the first teleconference radio net of March 3rd last will be reviewed at the May 18th meeting of the Greater Northeast Philadelphia Amateur Radio Fellowship which meets at the Northeast Regional Library, Cottman Avenue - opposite Gimbel's. The June 20th program will be a 40 minute film on exploring the unknown.

Programs for the radio amateur are held at the library at 7:00 P.M. on the third Monday of the month, September through June, except on holidays.

Admission is free as well as the parking which is located opposite the library.

For further information call: AL, W3AYJ, 725-2869.

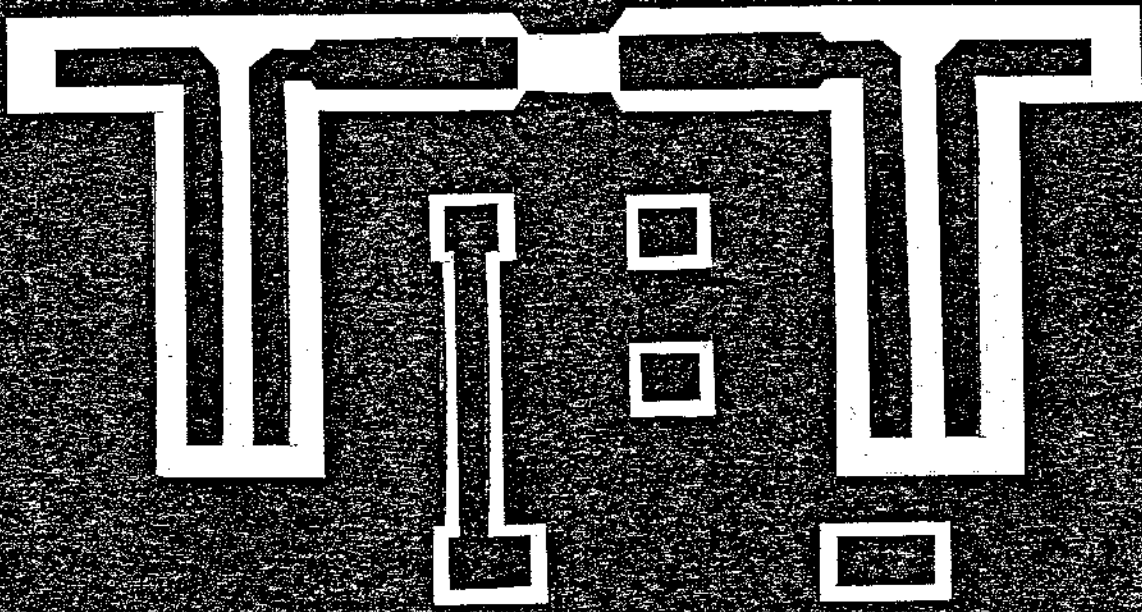
* * *

ARRL BULLETIN NR 31 FROM ARRL HEADQUARTERS NEWINGTON CT APRIL 20, 1983 TO ALL RADIO AMATEURS BT: On April 15 the FCC released a Public Notice updating the Amateur Radio Station Call Sign Assignment System. The Notice says the Commission does not intend to reissue unassigned call signs in the foreseeable future. It extends to two years the time in which an expired call sign can be renewed, and during which an expired secondary call sign can be transferred to a primary license. Finally, it sets forth a new prefix block for Desecheo Island, now KPS AR.

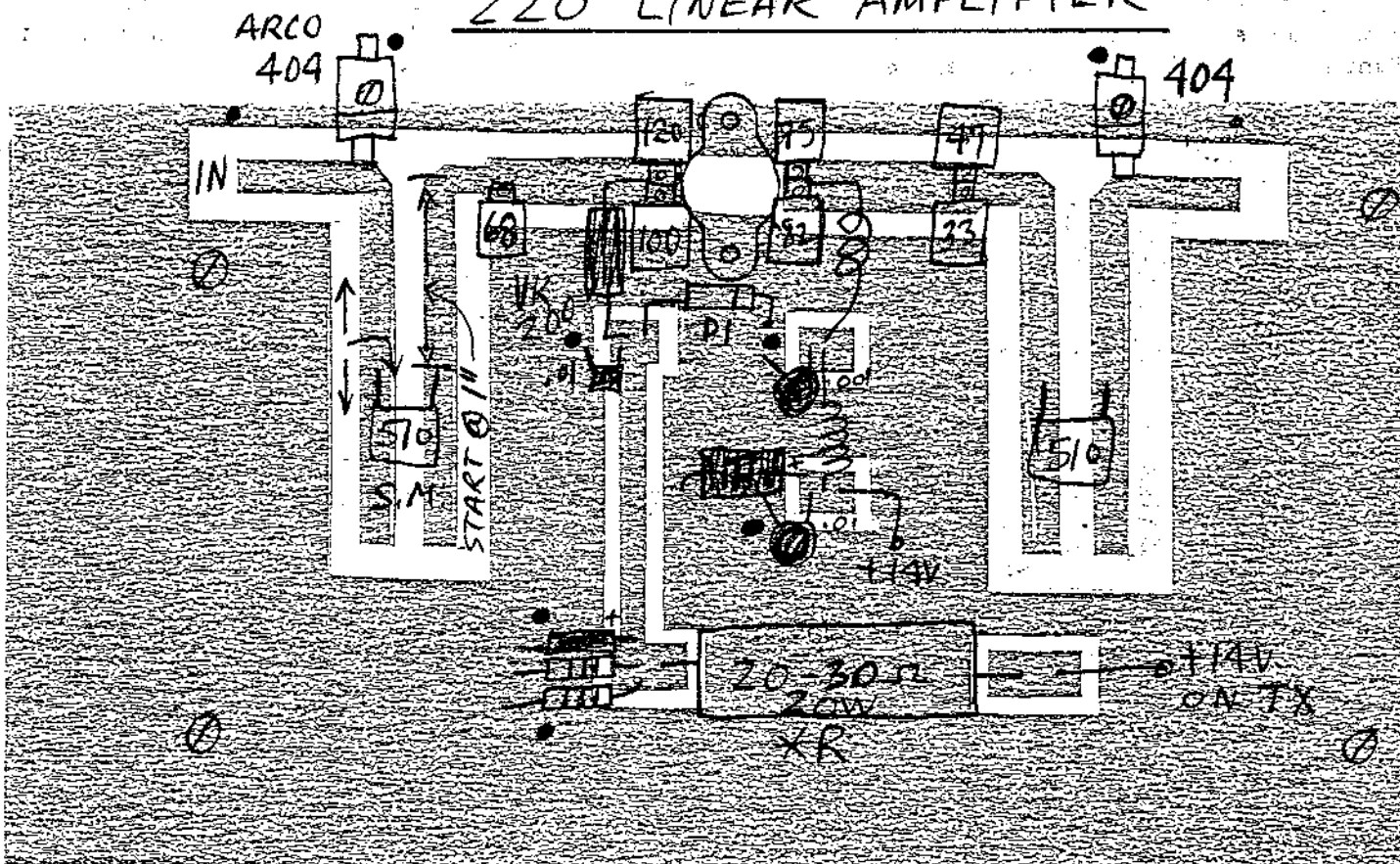
* * *

VOTED TO MEMBERSHIP

N3CX - David T. Hackford - XYL - Sylvia
Box 138 RD. 2
Pennsburg, Pa. 18073
215-679-7293



FULL SIZE PC LAYOUT ON G-10 DOUBLE SIDED
220 LINEAR AMPLIFIER



● = RIVETS THRU TO GROUND PLANE (9)
 ALSO RIVETS THRU/UNDER EACH UNELCO CAPACITOR (7 PLACES)
 ADJUST R FOR ICQ OF 150-200MA
 ADJUST SLOPF CAPS ON LINE FOR GOOD REFLECTED AND P.O.

- WA3JUF

ARRL BULLETIN NR 33 FROM ARRL HEADQUARTERS
NEWINGTON CT APRIL 23, 1983 TO ALL RADIO AMATEURS BT

The ARRL Board of Directors met in Hartford, CT, April 21 and 22, 1983. The Board, after extensive discussion, considering the overwhelming opposition of League members to the no code license, and finding little evidence that the requirement for a knowledge of Morse code is a significant barrier to entry into amateur radio, unanimously voted to file comments with FCC opposing in the strongest possible manner the creation of an amateur license class that does not require demonstration of knowledge of the Morse code. The Board adopted the position statement, which is the subject of ARRL Bulletin 32.

In other regulatory matters, the Board directed that favorable comments be filed in the FCC proposal to establish 10 year license terms and 2 year grace periods. The Board reaffirmed its support of the hf phone band expansion proposed by the FCC for the 80, 15 and 10 meter bands which is consistent with the ARRL proposal as outlined on page 51 of October 1982 QST.

The Board approved a revitalization plan for the Intruder Watch and adopted the recommendation of the VRAC that 2 meter splinter repeater channels be upright east of the continental divide to be phased in over a five year period. It was voted that Memorandums of Understanding be effected between the League and the National Communications System and REACT International respectively.

Plans were approved for a more continuous Washington, DC presence and for the eventual autonomy of the CRRL over a five year period. An ARRL Scholarship Endowment Fund honoring Senator Barry M. Goldwater, K7UGA, was established. A pilot program to hold general ARRL membership meetings at the 1983 and 1984 ARRL National Conventions was adopted. Directors Grauer, Holladay, Milius and Nathanson were elected to the ARRL Executive Committee.

The full minutes will appear in June 1983 QST AR

* * *

NOTICE - MARK YOUR CALENDER FOR JUNE 2, 1983

Joe Reiser, W1JR will be the guest speaker of the Teleconference Net on Thursday June 2, 1983 at 8PM. Amateurs are invited to participate in full two-way contact with Joe via teleconference interconnection of Amateur Radio Repeaters. A list of repeaters appeared on page 8 of the March issue of Cheese-Bits.

Delaware Valley Hams may monitor the Cherryville, New Jersey Repeater WB2NQV/R on 147.375 or the Mid-Atlantic ARC Repeater WB3JOE/R on 147.66/.06 located in Radnor, Delaware County, Pa.

215.947-6670

MARKETLINE™

SYSTEMS, INC
2337 Philmont Avenue
Huntingdon Valley, Pa. 19006

Computers & Peripherals

KC7ZK CARL BARISH

PRINTECH PRINTING

13620 NE 20th Suite D
Box 4247
Bellevue, WA 98009
746-6000

NE 7-8329

GEORGE S. VAN DYKE, JR., P.E.
CONSULTING ENGINEER

W3HK

4607 CONVENT LANE
PHILA., PA. 19114



AMIL S. GUMULA
PRESIDENT

A. G. RADIO PARTS CO.
939 TOWNSHIP LINE RD.
ELKINS PARK, PENNA. 19117
TELEPHONE: 215-886-5100

RCA Authorized
Distributor

K2RPZ PRINT

stu goodman

Distinctive QSLs-Largest selection, lowest prices, top quality photo and completely customized cards. Make your own QSLs truly unique at the same cost as a standard card, and get a better return rate! Free samples, catalogue. Stamps appreciated. Stu, K2RPZ, Box 412, Dept. PR, Rocky Point, NY 11778. (516) 744-6260

AMATEUR
SALES & SERVICE

(215) OL 9-5900

"HAM" BUERGER INC.
Communication Specialists

BOB HERSHMAN
WA3ZID

68 N. YORK RD.
WILLOW GROVE, PA. 19090

PENN ARC
A GENERAL PURPOSE CLUB

Monthly meetings the 4th Tuesday-8PM
Montgomery County Community College
340 DeKalb Pike, BlueBell, Pa.

CLUB REPEATER - 223.04/224.64 Mhz

The Ham Radio Publishing Group



Greenville, NH 03048 (603) 878-1441

HAM RADIO—the Technical Ham's
Magazine. Ask for a free sample
copy or our Book Catalog.

CALL DOC CUTLER (K3GAS)
FOR YOUR ELECTRONIC NEEDS

NEW, RECONDITIONED, OR AS IS.

LOW PRICES

by appointment 215-635-1078

Heathkit
ELECTRONIC CENTER

Stan Demski
Manager

Heathkit Electronic Center
6318 Roosevelt Blvd.
Philadelphia, Pennsylvania 19149
(215) 288-0180



NESHAMINY
TRAVEL
SERVICE

Harriet Soltoff
Home: (215) 947-4483

Phone:
(215) 757-1585

2337 Neshaminy Blvd.
Bensalem, PA 19020

SHOWING THURS. 7:00 PM
SAT. 8:00 PM

Day-Nite (215) 455-2121

FERTIK'S ELECTRONICS

Components & Equipment

LEON FERTIK

5400 ELLA STREET
PHILADELPHIA, PA. 19120

LUNAR KLM ASTRON
MICROWAVE MODULES
TAMA

(717) 868-6565

THE
VHF SHOP

BOX 349 R.D. 4
MOUNTAINTOP, PA. 18707

K3MKZ
GERRY

215-PI5-9007

WA3FOP

RALPH ALEXANDER

Electronic Equipment Repair
Technical Writing

(215) 723-1200
(215) 646-2600



CARR ELECTRONICS
AMATEUR RADIO GEAR NEW & USED FOR TODAY'S HAM

JOSEPH J. BURGESS
W3PNL

MAIN & RELIANCE
TELFORD, PA 18969

215-342-5982

WA3HIT

Paul and Betty Rilling
INCOME DIVERSIFICATION

5830 Weymouth Street -Phila., Pa.19120

73 magazine
for radio amateur

73 stresses the fun
of ham radio.

\$25 one year \$53 three years
POB 931 • Farmingdale NY • 11737



MASTER BLASTERS
Master Disc Jockeys
FOR A PARTY YOU'LL NEVER FORGET

BUZZ
(215) 722-5840

BRIAN
(215) 342-8832

