

# PACK RATS'



**PACK RATS**

CLUB CALL: W3CCX

MT. AIRY VHF RADIO CLUB, INC.

# CHEESE BITS



MT. AIRY VHF RADIO CLUB, INC., PHILADELPHIA, PENNSYLVANIA ARNS  
50.125, 144.150, 220.125, 432.110, 1296.110 Mhz, W3CCX - Repeater 222.98/224/58 Mhz  
Affiliated Club: AMERICAN RADIO RELAY LEAGUE  
Meetings: Third Thursday of each month at 8:00 P.M.  
Southampton Free Library, 947 E. Street Road  
Southampton, Pennsylvania 19866

VOLUME XXVI

JUNE, 1985

NUMBER 6

## THE PREZ SEZ

The club members and guests that attended our ARRL NITE May meeting heard Perry Williams, W1UED, Secretary of the ARRL, speak about what is happening in Washington. Thanks to Hugh Turnbull, W3ABC, the Atlantic Division Director and Perry for a very informative evening.

We were also presented with our 25th gavel for our outstanding effort in the January 1985 VHF SS Contest. Congratulations to the co-chairmen, WB2NPE and N2SB plus all the members who participated.

There will be an election of officers this month who will run the club in 1985 and 1986. I expect a large turnout on June 20th so the membership may cast their ballots. Please see page 4 for the list of nominees.

This will be my last "Prez Sez". I want to thank the Board of Directors and all the members for their cooperation and support.

We all managed to keep the club moving ahead for another year. I will continue to be active in the club and of course will be the Cheese-Bits printer. See you at the June 29th Banquet and Ladies Nite at the Warrington

73,

Dave, WB2VLA

\* \* \*

## A WEATHER SKED REMINDER

Charley Gianetta, WA3RSQ of the National Weather Service conducts a Six Meter Severe Weather Net from Allentown, Pa area on Sunday mornings at 10 AM on 50.150 MHZ. We urge Hams in this area of the Delaware Valley to participate.

Pack Rats CHEESE BITS is a publication of THE MT. AIRY VHF RADIO CLUB, INC. Philadelphia, Pa. and is published monthly.

SUBSCRIPTION RATE - \$2.50 PER YEAR

We operate on an exchange basis with other publications. Anything that is printed in CHEESE BITS may be reprinted, unless otherwise stated, provided that proper credit is given.

SWAP SHOP ITEMS - NO CHARGE

DEADLINE FOR ARTICLES IS THE GENERAL MEMBERSHIP MEETING: THE THIRD THURSDAY OF THE MONTH.

EDITOR:

W3CL, HARRY B. STEIN  
2087 Parkdale Avenue  
Glenside, Pa. 19038  
215-887-5052

PUBLISHER/SUBSCRIPTION MANAGER:

K3GAS, DOC CUTLER  
7815 New Second Street  
Elkins Park, Pa. 19117  
215-635-1078

PRINTER:

WB2VLA, DAVID POWER  
609-882-1040

TYPIST:

WA3TEM, MARSHA LISSAUER

TRUSTEE OF THE CLUB CALL - W3CCX:

WA3AXV, RONALD WHITSEL  
215-355-5730

AWARDS CHAIRMAN:

W2EIF, JOSEPH KILGORE  
609-783-9478

CLUB HISTORIAN:

W3CL, HARRY B. STEIN

MONDAY NIGHT NETS

NET CONTROL

7:30 PM - 50.125 MHZ	W3CL
8:00 PM - 144.150 MHZ	W2EIF
8:30 PM - 222.98/224.58 MHZ	K3GAS
8:45 PM - 220.125 MHZ	KS2T
9:00 PM - 432.110 MHZ	K3IUU-NF2L
9:30 PM - 1296.1 MHZ	W3HQJ

PACK RAT REPEATER 222.98/224.58 MHZ/W3CCX  
LOCATED IN CHURCHVILLE, PA.

OFFICERS: 1984-1985

PRESIDENT: WB2VLA, DAVE POWER  
VICE-PRES: WB2RVX, MIKE GULLO  
COR. SECY: AK30, FRANK KERNS  
REC. SECY: W3IIT, HARRY BROWN  
TREASURER: K3GAS, DOC CUTLER  
DIRECTORS: NF2L, BILL SMITH (EX-OF)  
WA3AAJ, JIM WARD (2 Yrs)  
WB3IND, GEORGE McMAHON (2 Yrs)  
WA2OMY, GARY HITCHNER (1 Yr)  
WA3YUE, BRUCE LOSS (1 Yr)



THE AMERICAN RADIO RELAY LEAGUE

OST

HUGH A. TURNBULL, W3ABC

Director, Atlantic Division

6903 RHODE ISLAND AVE.  
COLLEGE PARK, MD. 20740

(301) 927-1797

1-302-478-2757

AMATEUR  
and  
ADVANCED  
COMMUNICATIONS



G. B. WALLS

3208 CONCORD PIKE (RT. 202)  
WILMINGTON, DEL. 19808



Pennsylvania Institute  
of Technology

PAUL D. MERCADO

Chairperson, Drafting Design Department

(215) 565-7900

Rose Valley-Notre Dame Campus  
800 Manchester Ave., Media, Pa. 19063-4098

FREE ESTIMATES  
(215) 672-3850  
(215) 822-0808



MICHAEL McMACKIN

REGISTERED PLUMBING & HEATING  
BATHROOM INSTALLATIONS • ELECTRIC DRAIN CLEANING

96 HELLBERG AVE.  
CHALFONT, PA. 18914

2405 PARKSIDE AVE.  
HATBORO, PA. 19040

NOMINATION OF OFFICERS 1985-1986

PRESIDENT - Michael Gullo, WB2RVX  
Jim Ward, WA3AAJ

VICE-PRESIDENT - Gary Hitchner, WA2OMY

COR. SECRETARY - John Allen, W3XCU

REC. SECRETARY - Lyn Rowland, W3NSI

DIRECTORS - 2 YEAR TERM - VOTE FOR 2:

Dave Hackford, N3CX  
Dave Mascaro, WA3JUF  
Dan Mitten, WA3NFV  
Rick Connor, WB2NPE  
Bob Cook, N2SB

Nominations remain open until the regular meeting on June 20, 1985 when additional nominations may be made from the floor. Make sure you obtain permission from the candidate you wish to nominate.

\* \* \*

NOTICE

W9UD group will be operating in EN50 for the June VHF Contest on the 8th and 9th - 6 thru 1296. Sked requests to Jim, W9UD - Phone: 309-799-7447. (Tnx Pete, WD9FSA)

\* \* \*

TID BITS

Sunspot No. for April 1985 = 16.1. Smoothed No. for October 1984 = 28.2.

Doc, K3GAS hospitalized at Jeanes Hospital in Phila., Room 153. Phone 215-728-3235. A speedy recovery Doc - We miss you!!

Bill Murphy, W0RSJ moving back East from Colorado.

N2ASC, Dan Curran has moved to Willingboro, N.J.

K3BPP, Walt Bohlman now located in the Hilltown area.

Heard from Gary, WA1YHO now back in Windham, NH reports he will be back on the air on 2 and 432 by Summers end.

Congrats to Horace Deacon, W3AJF who is now back on 2 meters in addition to the 220 repeater from his apartment QTH. A HAPPY BIRTHDAY also Horace!

\* \* \*

VISITORS MAY 16, 1985 MEETING

W3ABC, Hugh College Park, MD  
W1UED, Perry Farmington, CT  
KA2NYF, Janet Voorhees, NJ

CHANGE OF ADDRESS

N2ASC - Dan Curran  
245 Clubhouse Drive  
Willingboro, N.J. 08046  
609-871-3044  
WB3KES - Doug Simpson  
720 Consumer St. S.E.  
Palm Bay, FL 32907

VOTED TO RETIRED LIST

AA2Z, Mark Wilson

CHANGE OF TELEPHONE NUMBER

W3GXB, Bob Fox  
215-322-6248

CHANGE OF ADDRESS

K3BPP - Walt Bohlman and Candace  
4 Valley View Rd.  
Line Lexington, Pa 18932  
215-822-6329

CALENDAR OF COMING EVENTS  
Syllabus by Lee, K3MXM

JUNE

- 2 DCARA Hamfest - Drexel Hill Middle School, State Road and Pa. Avenue, Drexel Hill, Pa. A nice local hamfest just getting started. Come out and help them get rolling.
- 6 D Day - 1944
- 8-9 ARRL VHF QSO PARTY - Since we are not participating in this contest as a Club effort, invitations have been offered by the Suburban ARC to join them at Big Pocono State Park in their effort operating as K3MTK or please be sure to work from your home station as many bands as you are able - for we all know how we work for the contacts in the January contest...
- 9 LIMARC Hamfest - Melville, N.Y.
- 6 B/D Meeting - QTH W3KKN, Ernie Kenas, 2823 Old Welsh Road, Willow Grove, Pa. 215-659-3485
- 15 Skyline Hamfest, Cortland, N.Y.
- 16 FATHERS DAY
- 16 Frederick, Md. Hamfest - Fairgrounds, Frederick, Md.
- 19 For all you computer buffs - Blaise Pascal born 1623
- 20 General Club Meeting - Southampton Free Library, 8 P.M. Topic: A presentation on Cellular Radio by a rep from Bell Atlantic. The Slate of Nominees appears on Page of this issue of Cheese-Bits. This is ELECTION NITE!! The Mario Raffle, Frankie's Silent Auction, Refreshments. An open meeting to all - bring your friends along and show them what the best VHF ARC is all about.
- 21 Summer officially begins. Solstice 12:02 AM
- 22-23 FIELD DAY - There will be many clubs operating VHF stations and will be looking for your contacts. Show them that VHF is alive and well and there is more VHF than 2 meter repeaters.
- NOTE: KT2B - Peter H. Putman is the VHF Editor - 73 Magazine. You may contact him at 84 Burnham Road, Morris Plains, N.J. 07950 Phone: 201-538-7149

\* \* \*

A message from W3NSI, Lyn Rowland

Greetings from your man in Greece. We have been a week in Egypt and visited Israel and Turkey. Probably stop a week in Crete, take a land tour North of Athens and stay on a beach to the South. Very few ham antennas this area. Saw none in Turkey.

73, Lyn & Sally

## SPRINT CONTEST INFORMATION

Entries for each contest must be postmarked by June 20. Contests are separate. Mail contest entries in separate envelopes. Submit separate log and summary sheets for each contest entered. Logs must indicate time, call sign and complete exchange for each valid QSO. Include dupe sheets with entries of more than 100 QSO's. Use the official entry forms available from ARRL Headquarters for a S.A.S.E.

\* \* \*

### FROM ARRL LETTER AMATEUR RADIO FROM SPACE THIS SUMMER

Ham-in-Space planners announce that a frequency of 145.55 MHz will be the primary down-link for the amateur station of Shuttle Flight 51 F. Verbal word from NASA/Houston still sets the launch for July 15th, with the first amateur operations coming as early as the second half of day two. Early transmissions from Tony England, W0ORE are likely to be slow-scan television rather than 2-way voice. After day three, chances improve for regular contacts.

The limited opportunity for two way contacts will be used to fulfill Tony's primary interest: working youth groups paired with ham clubs. Local Amateur Radio clubs meeting certain guidelines will be able to get a list of special, non-published uplink frequencies to be used for this purpose. Application forms are now available for qualified groups. Requests should be sent to ARRL Hq. in Newington, attention: Ham-in-Space Mission.

At least three shuttle astronauts are expressing an interest in operating the ham station that will be part of flight 51-F. Tony England, W0ORE, is still considered the prime operator. Fellow astronaut John David Bartoe, W4NYZ, is also expected to take the microphone for two-way contacts with earth-bound amateurs. Shuttle commander Gordon Fullerton, who used to be a Novice, may also revive his interest in ham radio. All amateur operations will come under Tony's call as we now understand it.

NASA officials say it is important to point out that flight 51-F remains a SPACELAB mission and not an Amateur Radio mission. Shuttle duties always have first priority.

A hectic shuttle workload makes advance scheduling of contacts impossible, so NASA planners are agreeing to announce the status of the amateur station one pass ahead of time. NASA ham clubs will help distribute the information as part of the long-successful effort to retransmit shuttle communications with ground controllers. W1AW and possible dedicated telephone numbers will be additional sources of information.

\* \* \*

### FROM NE VHF NEWS

THE FIRST CQ WORLD-WIDE VHF WPX CONTEST: February, 1985 CQ Magazine has the details of this new contest, to be held from 0000Z July 20, 1985 to 2400Z July 21, 1985. All authorized Amateur bands from 6 meters through 23 cm are permitted. All authorized modes are permitted, with the exception of repeater contacts, including via satellites. The exchange is a consecutive serial number and callsign. The multiplier is the number of prefixes worked per band, and QSOs count one point on 50, 70 and 144 MHz; two points per QSO on 220 MHz; and four points per QSO on 1296 MHz. The final score is the number of QSO points times the sum of band multipliers. The classes of entry are numerous: Single operator, single band; single operator, multi-band; single operator, single band, low power; single operator, multi-band, low power; multi-operator, single band; multi-operator, multi-band; portable; and FM only. Low power is defined as 25 watts PEP output or less. A commemorative certificate will be awarded to every first-year entrant. Trophies will be awarded to the national top-scoring station in each category, as well as certificates for the top score in each call area. It sounds like fun, particularly for those will calls like AFIT, ACIJ, AJIE, etc.

(CONTINUED ON PAGE 6 )

FROM NE VHF NEWS CONTINUED

KCOW's VHF+ UPDATE: Jack Parker has changed the name of his monthly newsletter from the "VHF+ TRADING POST" to "KCOW'S VHF+ UPDATE" in order to reflect more accurately its contents being more than a listing of classified ads. The February, 1985 issue begins Jack's second year of publication. The subscription rate is now \$5.00 per year.

1985 CENTRAL STATES VHF SOCIETY CONFERENCE: The 1985 CSVHF Conference will be held in Tulsa, OK the weekend of July 26, 28, 1985 at the Sheraton Inn Skyline East, 6333 East Skelly Drive. The hotel is just off I-44 within 10 minutes of the Tulsa International Airport. Reservation information will be mailed to CSVHF Society members in early June; contact WQRRY or WQOHU if you aren't a member. (TNX WD4MBK)

EAST COAST 70 CM NET: The East Coast 70cm Net continues to meet from 9 to 11 PM Eastern time on Wednesday evenings on 432.090 MHz. This net has been in operation for 5 1/2 years, with NCS duties being shared between K4CAW and WA4ZIA. Typically, 30 to 40 stations check in from 10 or more states. It seems that most of the 3rd and 4th call areas are within reliable range of the NCS stations. (TNX WD4MBK)

VUCC AWARDS FOR MICROWAVE BANDS: Effective immediately, the ARRL will accept applications for the VUCC Award for the microwave frequencies. Individual band awards are now available with the minimum number of grid squares to qualify as follows: 2.3 GHz, 10 squares; 3.4 GHz, 5 squares; 5.7 GHz, 5 squares; 10 GHz, 5 squares. Contacts are good retroactively to January 1, 1983. Endorsements are in increments of 5 squares. Contacts must be made from a single location, defined as within a 300 meter diameter circle. The first three qualifiers on each band will receive their certificates mounted on walnut plaques. Application information and the name of the closest awards manager is available from ARRL Headquarters for an \$ASE.

220 MHZ ACTIVITY NIGHT(S): Have you ever wondered why you rarely hear or work anyone on 220 MHz south of Northern New Jersey? Well, part of the answer is that Monday is the activity night in EPA and SNJ, and farther south, it is on Wednesdays! In the Midwest, it remains on Tuesdays.

\* \* \*

The average guy would rather marry beauty than brains, but that's because the average guy can see better than he can think....

All of us have five senses, some of us have two more -- Horse and common ---

A fish is not a fish until it is in the basket....

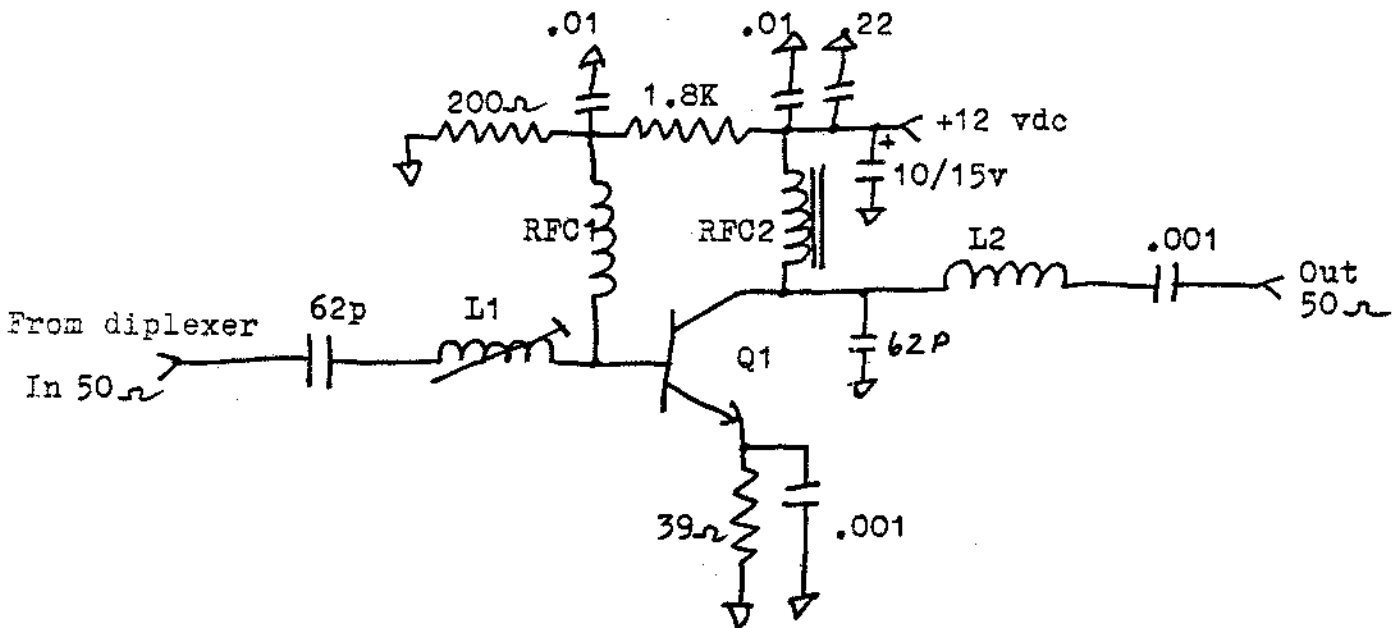
\* \* \*

PICNIC: FRIENDS OF WCAU - K3VAN REPEATER BRING FAMILY AND FOOD. FORT WASHINGTON PARK, FLOURTOWN NOON, SUNDAY, JULY 21, 1985. RAIN DATE, ONE WEEK PREVIOUS. W3HKZ

\* \* \*

## 28 Mhz. Post Amplifier

Use this amplifier following a DBM in your new overload proof converter.



Q1 SD1040, 2N5109, SD1316  
 RFC1 15 uh molded choke  
 RFC2 14t #24 T50-2  
 L1 13t #24 on 1/4" slug tuned form  
 L2 5.6 uh molded

N.F.  $\approx$  1.5 db  
 Gain 20 db min.  
 1 db compression +16 dbm

WA3JUF 1984

THIS PAGE INTENTIONALLY  
BLANK



(215) 355-5400

# MARKETLINE™

SYSTEMS, INC.  
975 JAYMOR ROAD  
SOUTHAMPTON, PA 18966

Computers & Peripherals

# 73 Amateur Radio's Technical Journal

PO BOX 931  
FARMINGDALE, NY 11737

\$25 one year \$53 three years

NE 7-6928

GEORGE S. VAN DYKE, JR., P.E.  
CONSULTING ENGINEER

W3HK

4607 CONVENT LANE  
PHILA., PA. 19114



AMIL S. GUMULA  
PRESIDENT

A. G. RADIO PARTS CO.  
939 TOWNSHIP LINE RD.  
ELKINS PARK, PENNA. 19117  
TELEPHONE: 215-666-5100

**RCA** Authorized  
Distributor

(302) 328-7728  
ORDER LINE 800-441-7008



## Delaware Amateur Supply

"AMATEUR SALES AND SERVICE"

PAUL WA3QPX  
KATHY KA31YO

71 MEADOW ROAD  
NEW CASTLE, DELAWARE 19720

AMATEUR  
SALES & SERVICE

(215) OL 9-5900

## "HAM" BUERGER INC.

Communication Specialists

BOB HERSHMAN  
WA3ZID

68 N. YORK RD.  
WILLOW GROVE, PA. 19090

215-342-5982

WA3HIT

Paul and Betty Rilling

INCOME DIVERSIFICATION

5830 Weymouth Street -Phila., Pa.19120

## The Ham Radio Publishing Group



Greenville, NH 03048 (603) 878-1441

HAM RADIO - the Technical Ham's  
Magazine. Ask for a free sample  
copy or our Book Catalog.

CALL DOC CUTLER (K3GAS)  
FOR YOUR ELECTRONIC NEEDS

NEW, RECONDITIONED, OR AS IS.

LOW PRICES

by appointment

215-635-1078

## Heathkit® ELECTRONIC CENTER

Stan Demski  
Manager

Heathkit Electronic Center  
6318 Roosevelt Blvd.  
Philadelphia, Pennsylvania 19149  
(215) 288-0180



## NESHAMINY TRAVEL SERVICE

Harriet Soltoff  
Home: (215) 947-4483

Phone:  
(215) 757-1585

2337 Neshaminy Blvd.  
Bensalem, PA 19020

BROWSING - THURS. 7<sup>00</sup> to 9<sup>00</sup>  
SAT. 8<sup>00</sup> to 4<sup>00</sup>

Day-Nite (215) 455-2121

## FERTIK'S ELECTRONICS . . . . .

Components & Equipment

LEON FERTIK

5400 ELLA STREET  
PHILADELPHIA, PA. 19120

LUNAR, MICROWAVE MODULES, ARCOS, ASTRON, KLM  
TAMA, TONNA F9T

## THE VHF SHOP

GERRY K3MKZ  
Box 349 R.D. 4  
Mountaintop, Pa. 18707

(717) 868-6565  
M - F after 6:00 p.m.  
Weekends Anytime!

## EASTSIDE SURPLUS SALES

12894 NE 15th PLACE  
BELLEVUE, WA 98005

(206) 453-0795

Carl Barish  
KC7ZC

A CANDY STORE OF PARTS FOR THE EXPERIMENTER.

(302) 328-7728  
ORDER LINE 800-441-7008



## Delaware Amateur Supply

"AMATEUR SALES AND SERVICE"

ROB WA3QLS  
GAIL KA3ITN

71 MEADOW ROAD  
NEW CASTLE, DELAWARE 19720



## Jenkintown & Glenside Electric Co.

WA3WLQ

220 YORK ROAD  
JENKINTOWN, PA  
TURNER 4-0375 - 4-1080  
WA 7-4325

