

PACK RATS'



PACK RATS

CLUB CALL: W3CCX

MT. AIRY VHF RADIO CLUB, INC.

CHEESE BITS



MT. AIRY VHF RADIO CLUB, INC., PHILADELPHIA, PENNSYLVANIA ARNS
 50.125, 144.150, 220.125, 432.110, 1296.110 Mhz, W3CCX - Repeater 222.98/224.58 Mhz
 Affiliated Club: AMERICAN RADIO RELAY LEAGUE
 Meetings: Third Thursday of each month at 8:00 P.M.
 Southampton Free Library, 847 E. Street Road
 Southampton, Pennsylvania 19866

VOLUME XXVI

FEBRUARY 1985

NUMBER 2

THE PREZ SEZ

I hope all the Pack Rats are getting back to normal after the exciting contest. From an early count, we had 71 participating in the contest this year. Thanks go to those who worked in the contest, to those who put up their stations for others to use, to those who lent equipment, and thanks for the great teamwork. With the club effort, the Mt. Airy VHF Radio Club will come out on top. I would really like to thank Rick, WB2NPE, and Bob, N2SB, for the great job they did in putting together the contest packets and getting up a good team effort.

Congratulations to Jim, WA3AAJ for winning the Crying Towel this year. Jim's sad tale was of a small fire while going over his log sheets. Thank goodness his coffee was strong enough to put it out. Congratulations again and hope you can get your QSL cards replaced.

February is Home Brew Night. I hope all those projects that were used in the contest will show up at the February meeting. Remember that the club gives out some great awards to the winners. There are three categories: (1) THE BEST (2) MOST UNUSUAL and (3) MISERABLE FAILURE. I hope you will all come and bring a friend!

Those who have not picked up their 1983 contest coffee mugs are listed below. So stop in and say hello to the gang and pick up your mug. K3BPP, W2GGB, W3HFY, WA3IMT, K3LYB, K3MWV, K3NHX, KB3QM, WB2RXM, WA3TSE.

73, Dave, WB2VLA

DUES ARE DUE

* * *

NOTICE

A new publication: News of The Eastern Pennsylvania Section, ARRL called "EPA FEEDLINE" has hit the road. It will be published at least quarterly with Kay Craigie, KC3LM as Editor and recently named Assistant Section Manager. The first issue for Jan. 1985 is excellent. If you have any items for the Editor, send to KA Craigie, KC3LM, EPA FEEDLINE, 128 Berkeley Rd., Devon, Pa. 19333. Tel. (215) 688-5045 Compuserve ID: 71046, 1735; Next issue: April 1985 - Deadline 15 March 1985.

Pack Rats CHEESE BITS is a publication of
THE MT. AIRY VHF RADIO CLUB, INC.
Philadelphia, Pa. and is published monthly.

SUBSCRIPTION RATE - \$2.50 PER YEAR

We operate on an exchange basis with other
publications. Anything that is printed in
CHEESE BITS may be reprinted, unless other-
wise stated, provided that proper credit
is given.

SWAP SHOP ITEMS - NO CHARGE

DEADLINE FOR ARTICLES IS THE GENERAL
MEMBERSHIP MEETING: THE THIRD THURSDAY
OF THE MONTH.

EDITOR:

W3CL, HARRY B. STEIN
2087 Parkdale Avenue
Glenside, Pa. 19038
215-887-5052

PUBLISHER/SUBSCRIPTION MANAGER:

K3GAS, DOC CUTLER
7815 New Second Street
Elkins Park, Pa. 19117
215-635-1078

PRINTER:

WB2VLA, DAVID POWER
609-882-1040

TYPIST:

WA3TEM, MARSHA LISSAUER

TRUSTEE OF THE CLUB CALL - W3CCX:

WA3AXV, RONALD WHITSEL
215-355-5730

AWARDS CHAIRMAN:

W2EIF, JOSEPH KILGORE
609-783-9478

CLUB HISTORIAN:

W3CL, HARRY B. STEIN

MONDAY NIGHT NETS

7:30 PM - 50.125 MHZ

8:00 PM - 144.150 MHZ

8:30 PM - 222.98/224.58 MHZ

8:45 PM - 220.125 MHZ

9:00 PM - 432.110 MHZ

9:30 PM - 1296.1 MHZ

NET CONTROL

W3CL

W2EIF

K3GAS

KS2T

K3IUU-NF2L

W3HQT

PACK RAT REPEATER 222.98/224.58 MHZ/W3CCX
LOCATED IN CHURCHVILLE, PA.

OFFICERS: 1984-1985

PRESIDENT: WB2VLA, DAVE POWER

VICE-PRES: WB2RVX, MIKE GULLO

COR. SECY: AK30, FRANK KERNS

REC. SECY: W3IIT, HARRY BROWN

TREASURER: K3GAS, DOC CUTLER

DIRECTORS: NF2L, BILL SMITH (EX-OF)

WA3AAJ, JIM WARD (2 Yrs)

WB3IND, GEORGE McMAHON (2 Yrs)

WA2OMY, GARY HITCHNER (1 Yr)

WA3YUE, BRUCE LOSS (1 Yr)



THE AMERICAN RADIO RELAY LEAGUE

OST

HUGH A. TURNBULL, W3ABC

Director, Atlantic Division

6903 RHODE ISLAND AVE.
COLLEGE PARK, MD. 20740

(301) 927-1797

1-802-478-2757

AMATEUR
and
ADVANCED
COMMUNICATIONS



G. B. WALLS

3208 CONCORD PIKE (RT. 202)
WILMINGTON, DEL. 19803



Pennsylvania Institute
of Technology

PAUL D. MERCADO

Chairperson, Drafting Design Department

(215) 565-7900

Rose Valley-Notre Dame Campus
800 Manchester Ave., Media, Pa. 19063-4098

FREE ESTIMATES
(215) 672-3850
(215) 822-0808



MICHAEL McMACKIN

REGISTERED PLUMBING & HEATING
BATHROOM INSTALLATIONS • ELECTRIC DRAIN CLEANING

96 HELLBERG AVE.
CHALFONT, PA. 18914

2405 PARKSIDE AVE.
HATBORO, PA. 19040

CALENDAR OF COMING EVENTS
Syllabus by Lee, K3MXX

FEBRUARY

- 2 Ground Hog Day - the day of the big shadow - we hope...
- 9 US Weather Brueau Established - 1870 - still or yet - looking out of the window work
- 9-10 QCWA QSO Party - CW
- 10-20 The Great American Chocolate Festival - Hershey, Pa. Anything and everything to do with chocolate. Foods, cakes, candies and many special events. A candy lovers heaven...
- 12 Lincoln's Birthday
- 14 St. Valentine's Day - Better not forget the other half...
- 14 Board of Directors Meeting - QTH: WA2OMY, Gary Hitchner, 39 W. Mt. Kirk Ave., Norristown, Pa. Phone: 539-6409 or 220 rprr. Directors and interested parties always welcome and encouraged to attend.
- 16 It's Saturday Night - Why not have a party.
- 16-17 ARRL International DX Contest - CW Info: Jan. QST Page 73
- 17 Computer Show - Aspen Hotel, Parsippany, N.J.
- 18 Washington's Birthday - Presidents Day - A Holiday...
- 20 Chinese New Year - For you food gormets - a big 10 course special banquet will be held at the Chinese Cultural Center.
- 20 ASH WEDNESDAY
- 21 General Club Meeting - Southampton Free Library 8:00 P.M. Topic: HOME BREW NITE Time to brag and show off all those special projects that have been a brewing in shop during the cold winter nites. Special catagories and prizes. Don's be bashful. Let's see what you have been doing... The Mario Raffle, Frankie's Silent Auction, Refreshments. An open meeting to one and all. Bring your friends and radio buddies along.
- 23 RTTY World Championship Contest
- 24 Lancaster, Pa. Hamfest - Guernsey Barn, Lancaster (Rt. 30) Pa. The first local Hamfest of the 1985 season. A good one to attend and only about an hours drive from Philly.
- 24 Vienna, Virginia Hamfest - Also a very good hamfest for our Southern friends...
- 28 Bachelors Day...

LEE'S SPECIALS

The problem with doing nothing, is that you can't stop to rest.
Nothing is hard to say quietly than OUCH!

With the high price of apples these days, you might just as well call a doctor.

NEW PRODUCTS OF INTEREST TO HAMS

By Lyn, W3NSI

1. RF POWER AMPLIFIERS: TE Systems have a line of amplifiers for 144-220-432 Mhz. These units are rated at 160 watts out at 144, 130 out at 220, and 100 out at 432. Four models are available for each band. Two 10 watt input models, one with and one without the preamp, and two 30 watt drive units with and without preamps make up the series for each of the three frequencies. The built in preamp model uses a GaAs FET device and is rated at .6 NF at 15 Db gain in the 2 meter amp. Thermal shutdown protection is built-in, switching in at temperatures about 65°C. Another feature is a variable delay in the relay switching circuit with the knob mounted on the rear chassis. Linear all-mode operation allows power inputs at low at 1/2 watt. An HT could drive any of the amps. with reduced power output. All models have the same size (3x6x10) and appearance, and can be remotely controlled. P.O. Box 25845 Los Angeles, Calif. 90025 Price \$200 - \$265

2. PACKET RADIO CONTROLLER: GLB Electronics now has available their PK1 subassembly board, wired and tested, less case. At a cost of \$150 it is about the cheapest way to get going on this mode. The PK1 operates on 12 VDC and draws 200 Ma. A cabinet kit is available from GLB for \$35. It includes switches jacks and wiring. Receive and transmit audio connections, transmitter keying, and a host computer are required for normal operation on packet radio. 1952 Clinton St., Buffalo, N.Y. 14206

* * *

VHF/UHF REPORT

By Joe, W2EIF

The bands have been very quiet up to a few weeks of the contest, whereupon much testing on all bands thru 2304 was in progress.

The contest this year, using grid squares, was disappointing to some, particularly the little guys who did not have the 10 section bonus of last year. This year, those who lived inland seemed to do better than those near shorelines. As usual, most contacts were on 2 meters. Scores will be up for quite a few and some, particularly the multiop stations will be fantastic.

This column has not been active since Sept. when I hurt my back, affecting the sciatic nerve, incapacitating me for more than 3 months.

* * *

VISITORS JANUARY 17, 1985
MEETING

KA2NYF, Janet - Voorhees, N.J.
-- , Barbara Mascaro, Ottsville, Pa.

* * *

We wish a speedy recovery to Bill Pasternak, WA6ITF, Editor of Westlink Report. Joe Schroeder, W9JUV, who served as Editor when Westlink was HR Report, will pinch-hit until Bill returns.

* * *

LAST MINUTE SWAP SHOP

FOR SALE: Hal System for CW, Rtty, ASC II. Consists of CT-2200 (Communications Terminal) and KB-2100 Keyboard. Mint condx. with manual. \$450. Will consider trades of H.F. gear that current. SP-600 gen. cov. rece. \$100. Robot Model 70 Slow Scan Converter \$70. Good shape with manual. CONTACT: K3UKW, Tony, Phone: 215-271-8898.

SWAP SHOP

FOR SALE: Henry Radio Tempo 6N2, 2 KW linear amp. w/external Dow-Key relays \$950.

Intermediate solid state amps. available - not included in price. All the property of Stan, K3IPM.

CONTACT: Ron Whitsel, WA3AXV

Phone: 215-355-5730 after 4 PM

FOR SALE OR SWAP: 6 Ft. Dish w/mount and 900 Mhz Feed (Dipole & Reflector)

Trade for 1296 Loop Yagi; 220 FM rig; 14 el Boomers (2M) or \$75 cash.

CONTACT: Mike, N3BBI

Phone: 717-325-3580 after 4:30 pm
Sat. Sun, Mon. Wed. Thurs.

FOR SALE: Icom IC740 HF transceiver 10-160

metres; internal AC suply; CW filter, hand held mic part of Icom, separate desk Mic. Mobile mount \$700.

CONTACT: Warren, WB2DNA

Phone: 201-257-3871

FOR SALE: 5 ft. Cabinet Rack w/KW amps.

for 6 and 2 with full metered power & control \$400. 12 V.D.C. Dow-key relays - special price to club members.

CONTACT: Dave, W3ZD

Phone: 215-675-4539

FOR SALE: Midland 13-510 25W. synthesized 2 mtr. FM rig w/manual \$175.

CONTACT: Ron Whitsel, WA3AXV

Phone: 215-355-5730 after 4 PM

FOR SALE: SG132 Sweep Generator w/manual.

CONTACT: Paul, WB3JYO

Phone: 215-598-3934

FOR SALE: DYNATUNER FM 3 Tuner FM DYNA STEREO PREAMP - PAS2. 2 - Dynakit Mark III

amplifiers - 140W. each; 2 - AR acoustic loud speaker systems in cabinets (hi & midrange suspension spkr in each) all

for \$45. Lafayette HA 350 communications rcvr \$60. Hallicrafters S40B rcvr \$50;

Hallicrafter S12B rcvr \$25.

CONTACT: Doc Cutler, K3GAS

Phone: 215-635-1078

FOR SALE: 1296 and 2304 antennas. 1296-45 el. 12 ft. Boom \$80; 2304 - 45 el.

7 ft. boom - \$70. all antennas completely assembled and tested. All stainless hardware complete w/boom to mast mounting bracket. Power dividers and phasing lines are available for stacked arrays.

CONTACT: Bill, W3HQT at Down East Microwave, Box 1655A, RFD 1, Burnham, ME 04922

Phone: 207-948-3741

* * *

TID BITS

Sunwatcher, Jack Power, W2AXU reports the monthly No. for Dec. 1984 = 18.2, smoothed no. for June 1984 = 46.1.

Congrats to WA3AAJ, Jim Ward, on winning the "Crying Towel" at the Jan. 1985 Meeting. WA3AQA, Walt Zumbach sent excellent comment on PRB-1 to the FCC.

Please correct W2AXU, John Power listing in the Membership Directory from "member" status to "retired" listing.

Our Indiana member, WB9PUJ, Dick Pokern, sent his contest log to contest chairman WB2NPE. He worked 10 grid squares compared to 4 sections under the old rules. WB2NPE will forward Dick's log to ARRL headquarters.

Rick, WB2NPE sends his congratulations to the club members for doing such an outstanding job in the Jan. VHF SS; 71 Pack-Rats participated. Many thanks to Frank, WA2VYA for assisting at N2SB during the contest.

* * *

HIGHWAY TRAFFIC TIDBITS IN NEW JERSEY

By Jack Power, W2AXU

1. The owner of any vehicle seen passing a stopped school bus can be charged with the violation and given 5 points plus a fine.
2. The distance a vehicle must stop from a school bus discharging or picking up students is 25 feet.
3. Pedestrians and joggers must always walk or jog off the roadway and facing traffic.
4. Frozen Dessert Truck - when approaching or overtaking a frozen dessert truck from either direction and it shows flashing red lights and a stop arm, you must
 - (a) stop, then drive past the truck at a slow speed of no more than 15 MPH
 - (b) Yield the right-of-way to any person who is crossing the roadway to or from the truck;

SENATE RESOLUTION 36 NEEDS YOU!
From ARRL Letter Jan. 17, 1985

On January 3, 1985, Senator Barry Goldwater, K7UGA, introduced two resolutions. One of them (S. Res. 36), if adopted, will declare the sense of the U.S. Senate that the FCC should affirm that state and local regulations must not unreasonably restrict communications from Amateur Radio stations. The other resolution pertains to the rights of citizens to erect and maintain television receive-only (TVRO) satellite dishes. The Amateur Radio resolution will send a clear message to the FCC that favorable action on PRB-1 (the League's request for federal preemption of restrictive local antenna ordinances) would meet with the approval of the U.S. Senate. Your support, and the support of your Senator, is needed to ensure it is adopted.

The resolution reads: "Resolution - To express the sense of the Senate relative to unduly restrictive state and local regulation of amateur radio antennas.

"Resolved, That it is the sense of the Senate that, consistent with the policy of the United States to recognize and enhance the value of the Amateur Radio Service as a voluntary noncommercial communication service which provides public service and emergency communications, the Federal Communications Commission should affirm that state and local regulatory authority, including, but not limited to, zoning, public safety, or health authority, and authority to grant a license or permit, must be exercised so that it does not (1) discriminate unreasonably among amateur radio antennas and other types of home communications and/or reception antennas, or (2) have the effect of prohibiting or frustrating the transmission or reception of amateur radio communications by Federally-licensed amateur radio stations, except as may be necessary to carrying out a clearly articulated and affirmatively expressed compelling governmental interest related to the health and safety of the community."

CLUB CHALLENGE FOR THE '80s.

ARRL affiliated Clubs -- We're challenging you to help us keep the ARRL the healthy and robust force for Amateur Radio that it is today. To be able to continue to represent your Amateur Radio interests effectively, we need the support and active participation of a greater number of our fellow hams. A strong ARRL ensures a strong Amateur Radio Service. And there's no one better to reach out to prospective members locally than the members of ARRL's Affiliated Clubs. Thus, the ARRL is sponsoring a 1985 Club competition with increased benefits to Affiliated Clubs and the opportunity to compete against other clubs of comparable size for a variety of prizes and awards.

Next week each actively affiliated club will receive a package in the mail containing a statement of the rules, a unique identifier code, a description of the increased benefits, a few suggestions on effective techniques and a quantity of ARRL's new membership brochure, "Your Invitation to Membership in the ARRL." Following is a summary of the highlights to whet your appetite -- it is not the official statement of the rules.

Only clubs actively affiliated with the ARRL by the end of calendar year 1985 are eligible to compete. Active affiliation requires that the club be affiliated, and submit a 1985 annual report (forms will be mailed shortly) and that 51% of its members are ARRL members.

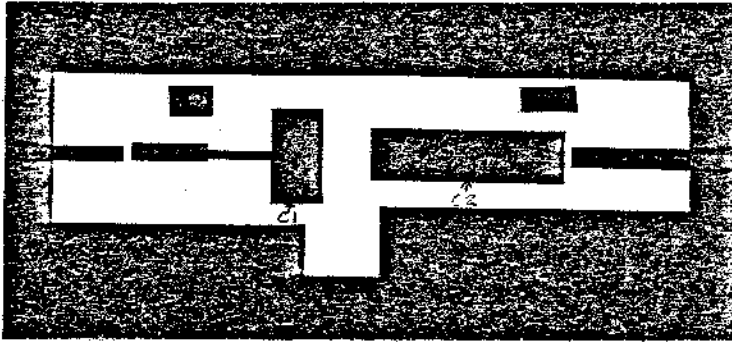
An affiliated club is to be credited with a new ARRL membership only if the club's 4-digit code is entered on the membership application form. A space for this purpose will be provided on all new revisions of the ARRL membership application forms. Actively affiliated clubs will be given their ID codes in the initial mailing.

For years, ARRL Affiliated Clubs have been entitled to withhold \$2.00 as a commission for each ARRL membership signed or renewed through them. Under the new program, Affiliated Clubs will receive an additional \$3.00 refund from Hq. for new (not renewal) ARRL memberships. Thus, each new membership will garner a total of \$5.00 for the clubs treasury. (Please note that clubs must not withhold the entire \$5.00)

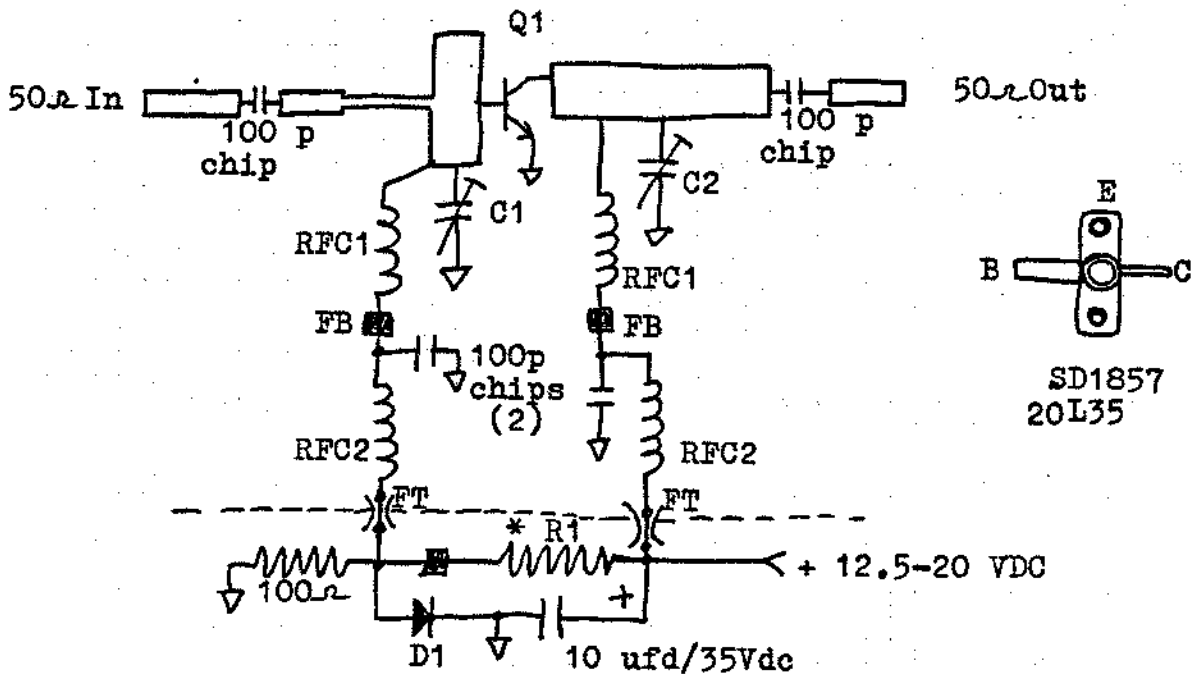
Awards will be given to each club during the year as it achieves certain milestones: 5, 10, 25, 50, 75 and 100 new ARRL members. Additionally, participating clubs will be recognized in QST.

(CONTINUED ON PAGE 8)

1296 Mhz. Linear Amplifier



Board material is 1/16" G-10 Double sided.
full sized layout



- | | | |
|------|--|-------------------------------|
| Q1 | SD1857 or 20L35 | Pin 1 Watt |
| C1 | 0.3-3pf piston trimmer | Pout 5 Watts @ 20 vdc |
| C2 | 5 pf piston trimmer | * Adjust R1 for 25-30 ma. Icq |
| RFC1 | 8t, #28, 0.1" ID | ($\approx 2.4K-\Omega$) |
| RFC2 | 12t, #28, 0.1" ID | |
| D1 | 1N4001 (mounted thermally to flange of Q1) | |
- (solder end of diode to solder tag and mount with 4-40 screw)

HIGHWAY TRAFFIC TIDBITS IN N.J.
CONTINUED

(c) The above does not apply if you are on a dual highway on the other side of a safety island or raised median.

5. Head lights are required from a half hour after sunset to a half hour before sunrise and during anytime when, due to rain, smoke, fog, unfavorable atmospheric conditions or for any other cause when there is not sufficient light to render clearly discernible, persons and vehicles on the highway at a distance of 500 feet ahead.

* * *

CLUB CHALLENGE CONTINUED

Affiliated clubs that are credited with at least 10 new ARRL members during 1985 will be included in a year-end drawing for a major piece of Amateur Radio equipment that can be enjoyed by the entire club for years to come.

The 1900 ARRL affiliated clubs will be divided into three groups, based on club size, for the purposes of the competition. At the end of the year, the club in each category with the greatest number of new ARRL members credited to it will receive a valuable prize and have its name engraved on the ARRL Challenge Cup. This trophy will be displayed in the ARRL Headquarters building and plaques commemorating the achievement will be sent to the winning clubs.

The results of the competition, including group photographs of each winning club, will be presented in the first available issue of QST once the determination is final.

For further details contact your local ARRL Affiliated Club. For information on your club's becoming affiliated with ARRL, contact any of the ARRL Section officials, Division Director or Headquarters. Here's to an exciting 1985.

* * *

CHARGING ICOM BATTERY PACKS THRU THE TOP TERMINALS

BY D. Mascarro, WA3JUF

I use a homemade battery charger for all my Icom packs, and charge thru the slide terminals on top.

To charge Icom BP series fast charge batteries thru the top connector, it is necessary to rewire the thermal switch. Otherwise the battery will not shut off when full charge temperature is reached.

Open the pack by removing the screws. Unsolder the negative wire (comes from the slide connector) at the battery and reconnect it to the negative post on the bottom of the pack. This is a purple wire in the BP-2. This connects the thermal switch in series with the top and bottom terminals. Please note that the pack must cool down a little before it can be used on the radio.

A slide connector can be made of 1/32" printed circuit board. Cut away the copper to make a connection to the positive terminal on the top of the battery. The PC board is slid into the slide connector and attached to the charger.

* * *

(215) 355-5400

MARKETLINE™
SYSTEMS, INC.
975 JAYMOR ROAD
SOUTHAMPTON, PA. 18966

Computers & Peripherals

73 Amateur Radio's
Technical Journal
PO BOX 931
FARMINGDALE, NY 11737

\$25 one year \$53 three years

NE 7-8329

GEORGE S. VAN DYKE, JR., P.E.
CONSULTING ENGINEER

W3HK

4607 CONVENT LANE
PHILA., PA. 19114



AMIL S. GUMULA
PRESIDENT

A. G. RADIO PARTS CO.
939 TOWNSHIP LINE RD.
ELKINS PARK, PENNA. 19117
TELEPHONE: 215-886-5100

RCA Authorized
Distributor

(302) 328-7728
ORDER LINE 800-441-7008



Delaware Amateur Supply
"AMATEUR SALES AND SERVICE"

PAUL WA3QPX
KATHY KA31YO

71 MEADOW ROAD
NEW CASTLE, DELAWARE 19720

AMATEUR
SALES & SERVICE

(215) OL 9-5900

"HAM" BUERGER INC.
Communication Specialists

BOB HERSHMAN
WA3ZID

68 N. YORK RD.
WILLOW GROVE, PA. 19090

215-342-5982

WA3HIT

Paul and Betty Rilling

INCOME DIVERSIFICATION

5830 Weymouth Street -Phila., Pa.19120

The Ham Radio Publishing Group

hr Greenville, NH 03048 (603) 878-1441

HAM RADIO - the Technical Ham's
Magazine. Ask for a free sample
copy or our Book Catalog.

CALL DOC CUTLER (K3GAS)
FOR YOUR ELECTRONIC NEEDS

NEW, RECONDITIONED, OR AS IS.

LOW PRICES

by appointment 215-635-1078

Heathkit®
ELECTRONIC CENTER

Stan Demski
Manager

Heathkit Electronic Center
6318 Roosevelt Blvd.
Philadelphia, Pennsylvania 19149
(215) 288-0180

Veritechnology
ELECTRONICS CORPORATION



**NESHAMINY
TRAVEL
SERVICE**

Harriet Soltoff
Home: (215) 947-4483

Phone:
(215) 757-1585

2337 Neshaminy Blvd.
Bensalem, PA 19020

BROWSING - THURS. 7⁰⁰ to 9⁰⁰
SAT. 9⁰⁰ to 4⁰⁰

Day-Nite (215) 455-2121

FERTIK'S ELECTRONICS

Components & Equipment

LEON FERTIK

5400 ELLA STREET
PHILADELPHIA, PA. 19120

LUNAR, MICROWAVE MODULES, ARCOS, ASTRON, KLM
TAMA, TONNA P9FT

THE
VHF SHOP

GERRY K3MKZ
Box 349 R.D. 4
Mountaintop, Pa. 18707

(717) 868-6565
M - F after 6:00 p.m.
Weekends Anytime!

EASTSIDE SURPLUS SALES

12894 NE 15th PLACE
BELLEVUE, WA 98005

(206) 453-0795

Carl Barish
KC7ZC

A CANDY STORE OF PARTS FOR THE EXPERIMENTER.

(302) 328-7728
ORDER LINE 800-441-7008



Delaware Amateur Supply
"AMATEUR SALES AND SERVICE"

ROB WA3QLS
GAIL KA3ITN

71 MEADOW ROAD
NEW CASTLE, DELAWARE 19720



Jenkintown & Glenside Electric Co.

WA3WLQ

220 YORK ROAD
JENKINTOWN, PA
Turner 4-0375 - 4-1050
WA 7-4325

"HAM" BUERGER, INC.
Electronic Equipment Distributor
"Right in the middle of a lot of good company!"

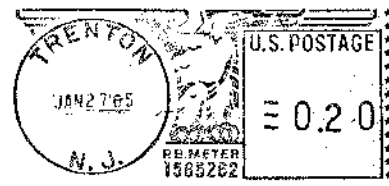
If we're
judged by the
company we
keep, we should
do pretty well!

Service Since
1956
68 N. YORK ROAD
WILLOW GROVE, PA 19090
215-659-5900

Wilson Electronics Corp.

Logos and text around the circle include: Xcelite, Sprague, AMPHENOL, CUSHCOTT, TAB BOOKS, TRW, NPG, VIBROPLEX, BEANCOF, "W2AU" HAM-KEY, Larsen Antennas, hy-gain, ASA TIC, MIRROR, Saxon, ICOM, CBS, CDE, DRAKE, nte, GILFER LMB, TPL, Weller, Waldom, M-L, communication specialists, MISCO, BIRD, Vector, HUSTLER, Meigs Dodge Equipment, AMCO, SWAN, COVER CRAFT, AMP SPECIAL INDUSTRIES, BOMAR, MESA, TCB, BTV, TELE, TEN-TEC, JOT, SOWA, and others.

Cheese Bits
2087 Parkdale Ave.
Glenside, Pa. 19038



W3FGD
DICK HUNTZINGER
130 FAIRHILL DR.
CHURCHVILLE, PA. 18966

PACK RATS

FIRST CLASS