

# PACK RATS' CHEESE BITS



MT. AIRY V.R.F. RADIO CLUB, INC., PHILA., PA.

(50.2, 145.2, 221.4, 432.2 & 1296.4 MC.)

CLUB CALL: W3CCX

AFFILIATED MEMBER: AMERICAN RADIO RELAY LEAGUE

EDITOR: HELEN BRICK, XYL, W3SAD

VOLUME VII

MEETING NOTICES: LAST PAGE

NUMBER 12

MEMBER CLUB: DELAWARE VALLEY COUNCIL OF AMATEUR RADIO CLUBS

OUR PREZ SEZ

(Ed. note: Sorry, but in moving we misplaced the cut for the column)

Here it is, February, said to be a nasty month or the fore-runner to a nasty March. This type of winter weather, still in the offing, can raise Cain with antennas and flapping feedlines. Make sure your feedlines are snugged up so there is no swinging lines in the breeze. You can recognize the symptoms, erratic meter readings and signal reception.

~~The Delaware Valley Council of Amateur Radio Clubs~~, is in full swing. Look for a more detailed report inside this issue.

Articles for Cheese Bits are always welcome. Send in any Hints or Kinks, etc. Also, don't forget Swap & Shoppe edited by W3ZRR. I'm sure everyone has something he wants to get rid of or swap. No junk please or you lose the privilege of free advertising.

Our congratulations to Pack Rat, W3OHY, Tom, who was elected to the presidency of the Chester County ARC. We know you will do a good job, Tom.

We still have Pack Rat certificates. Get on the air and talk up this piece of wallpaper. For those getting on 2 meters, please try to operate in an orderly fashion by tuning your own frequency first. You will be surprised at the contacts you will make and the thanks you will receive.

Best of luck to W3SAD, Frankie, and to Mother Rat, Helen, in their new QTH. It's 10 feet higher.

At this writing, W3CFS is in the Phoenixville Hospital in bad shape. Our prayers go out to Ed and his family for his recovery.

73, Doc, K3GAS

\*\*\*\*\*

DUES ARE DUE (1) NOW!!

CHEESE BITS IS PUBLISHED MONTHLY BY  
MT. AIRY V.H.F. RADIO CLUB, INC.,  
PHILADELPHIA PENNSYLVANIA.

10¢ a copy \$1.00 a year

WE OPERATE ON AN EXCHANGE BASIS WITH  
OTHER PUBLICATIONS, AND ANYTHING THAT  
IS PRINTED IN "CHEESE BITS" MAY BE RE-  
PRINTED, UNLESS SO STATED, IN ANY PUB-  
LICATION AS LONG AS PROPER CREDIT IS  
GIVEN.

DEADLINE FOR ARTICLES: 20th of the  
month.

ALL INFORMATION SHOULD BE SENT TO THE  
EDITOR: HELEN BRICK, XYL, W3SAO  
821 W. Lindley Avenue,  
Phila., Pa. 19141  
215- DA. 4-7524

TRUSTEE OF CLUB CALL: W3CCX  
W3SAO, FRANCIS BRICK  
821 W. Lindley Avenue,  
Phila., Pa. 19141

AWARDS CHAIRMAN:  
W2EIF, JOSEPH KILGORE  
5 Sunnybrook Court,  
Stratford, N.J. 08084

DIRECTORS' MEETINGS are held the  
second Wednesday of each month at  
designated locations.

MONDAY NITE NETS:

7:30 P.M. - 145.2 \*  
8:30 P.M. - 50.2 \*  
9:30 P.M. - 221.4 \*  
10:00 P.M. - 432.3 \* \*\*

(\* NEW TIME, STARTING MARCH 15, 1965  
\*\* NEW NET, STARTING MARCH 5, 1965)

OFFICERS: 1964 - 1965

PRESIDENT: K3GAS, DOC CUTLER  
VICE-PRES: W2EIF, JOSEPH KILGORE  
COR. SEC.: W3SAO, FRANCIS BRICK  
REG. SEC.: W3HAB, MONROE POLLILL  
TREASURER: W3MVF, DAVID BLOCH

DIRECTORS: K3HWZ, WILLIAM McCUTCHEON  
W2AXU, JOHN POWER  
W3LHF, DAVID ZIMMERMAN  
W3HKZ, EDWARD KUSHNER  
K3CIV, RALPH HERSH  
(EX-OFFICIO)

\*\*\*\*\*

#### MARCH BIRTHDAYS

K3NMN, Len; K3LBT, Al; K3AFT, Joe;  
W3CYU, Johnny; and a belated February  
birthday to W3LHF, Dave.

Congratulations and best wishes for  
many more.

(Ed. note: Should your birthday not  
be listed it is because we have no  
record of it. Give it to Frankie for  
the files.)

\*\*\*\*\*

#### PHILA COUNTY AREC

PLANNING MEETING: Wednesday, February  
24, 8:00 P.M.

REGULAR MEETING: Wednesday, March 3,  
8:00 P.M.

MEETING PLACE: GILBERT SPRUANCE SCHOOL  
HORROCKS and LEVICK STREETS.

#### NOTE FROM THE SEC

We still need blood, for the blood  
bank, so make a pitch for donors.  
When donating blood to the Red Cross  
please state that it is for the Phila.  
County Amateur Radio Public Service  
Corps.

We could use any talent in teaching  
at the Shriners Hospital on Saturday  
Mornings. Contact K3WEU, Paul Behr-  
mann, 5101 Wynnfield Avenue, Phila.,  
Pa. 19131. TR. 7-0562 or TR. 7-1007

73, W3ELI, George

\*\*\*\*\*

#### ARRL BULLETINS

NR. 987, JANUARY 7, 1965

The Department of Transport has changed  
the rules for Anadrian amateurs to per-  
mit only c.w. in the lower 100 kc. of  
the six and two meter bands. The  
changes, effective immediately, are  
intended to protect stations involved  
in weak signal work, such as moonbounce  
auroral reflection, and the like, and  
particularly in connection with the  
Oscar III repeater which is scheduled  
to operate in the two meter band after  
launch sometime this year.

NR. 990, JANUARY 28, 1965

The U.S. Supreme Court has refused to  
review the Federal Court of Appeals  
decision that the present FCC license  
fees are legal. ARRL was one of sev-  
eral groups who had asked for the re-  
view. The only remaining means of  
overturning FCC fees is through Con-  
fessional action. Texas Representa-  
tive Rogers will seek passage of a  
bill forbidding FCC to charge fees  
without the express authority of the  
Congress. Hearings were held on a  
similar bill last year but the bill  
did not reach the floor. See Septem-  
ber 1964 QST and the forthcoming March  
1965 issue for complete details.

NR. 991, FEBRUARY 4, 1965

FCC has adopted the Conditional Class  
rules it proposed in Docket 15640,  
shown in full on page 56 of November  
QST. After April 15, applicants for  
Conditional Class under the distance  
rules must live more than 175 miles  
from an FCC office, quarterly or semi-  
annual examination point. There is  
no change in eligibility by reason of  
physical disability, military service,  
or overseas residence. Present holders  
of the Conditional Class license are  
not affected in any way. Full details  
will be shown in the April issue of  
QST.

\*\*\*\*\*

#### RADIO DOOR OPENERS

A bill to give the FCC authority to  
regulate the manufacture, import,  
sale and shipment of devices which  
cause harmful interference with radio  
reception has been introduced by Sen.  
Magnuson (D. Wash.)

The measure, at the request of the FCC,  
(Cont'd last page)

DELAWARE VALLEY COUNCIL of AMATEUR RADIO CLUBS

On Thursday, Feb. 4th, 1965, the Delaware Valley Council of Amateur Radio Clubs had their important planning meeting. In attendance were the following representatives; ARRL Atlantic Division Director, E. Pa. SCM, WCAU, Defense Clothing Center, Mt. Airy, Naval Air Center, Main Line VHF, Penn-Jersey YL's, Frankford Arsenal, Phil-Mont, Chester County, Phila. Convention Bureau, Delon, Bucks County, Ivy Ridge, West Phila., Reading, Manto, Del-Mont and E. Pa. Nat.

Main topics discussed and under way were; Petition to FCC for rules change to permit temporary call signs to be used without payment of the \$20 charge. To obtain memorial call for Council of W3AYG; To incorporate Council; To start preparation for National Convention of 1976; To formulate plans for Atlantic Division Convention of 1968 and to start work on Hamfest for 1965.

Clubs are to voice their opinion about the next Hamfest to be held in the Phila. area, ie, do they want it in the fall of 1965 or in 1966.

73, W3HKZ, Ed Kushner

\*\*\*\*\*

THE PACK'S RATS

By Carmen J. Diodati K3PXT/AREA

The news that Paul, K3EQU, is presently convalescing at home after a serious illness is very pleasant. Our fellow rats wish him a speedy recovery. Paul's interest in hamming came about in an effort to interest his harmonic in amateur radio. As is usually the case the harmonic lost interest, but Paul continued to the point where he holds the big "G". He earned his novice license under the auspices of the Quakertown Amateur Radio Club under the guidance of Wm. Kulp, W3IMW the chief instructor.

Besides amateur radio the hobbies enjoyed at Paul's QTH are fishing (Paul has some real fish stories) painting, working with mosaic masterpieces and model building. Like many other amateurs, Paul has proven that a vocation outside the field of electronics is not a handicap to becoming a good amateur. Paul is shop foreman at the Red Wheel Grinding Co. His bass is W3KRF.

One of Paul's happiest moments occurred when he pinned on his club pin and stated, "Man I'm sure proud of this." Paul woks all bands, but 6 meters is his favorite. He is considering other VHF bands but other things have precedent. Meanwhile, he'll look for you on 6, so beam Northwest and add a little more cheer to our convalescing member.

Howard, K3EPB's interest in amateur radio, started as a result of his sundown activity of repairing radio receivers as a side line. His entrance into amateur radio parallels that of our fellow member, Paul, K3EQU. He believes that the friendly jolts of electrical impulses, from the high voltage supplies of the mixed up receivers, activated the desire for RF energy.

Howard also earned his license as a result of the Quakertown Radio Club's requirement for Civilian Defense operators. He is employed as a foreman in a sheet metal shop. When time and the opportunity permit, Howard and his NYL (nice young lady), Emily, and their hours close to nature visiting and staying at camping sites within 100 miles of their QTH in Doylestown. They travel to and from the various sites in a camp trailer which has all the comforts of home. Emily's favorite pastime is liquid embroidery, which, incidentally, is one of the better ways of getting that ham call on your shirt.

Robert, the harmonic has no interest in radio but is an expert archer and a high scoring bowler. Howard's biggest gripe is the fact that circumstances are such that he cannot take a more active part in the club's activities. He works all bands but like most VHF enthusiasts in this area, he is usually found on 6 meters where he can chew the rag with the best. Look for him, he's looking for you.

\*\*\*\*\*

HELP FOR THE LAFAYETTE HE 45

By K3GAS, Doc Cutler

The original HE 45 left much to be desired in the transmitter end. Numerous articles have been written on stabilizing and increasing the audio. The receiver section just needs a careful alignment as the original instructions call for and placement of some temporary compensating capacitors to cut down on receiver drift. Recently, I put a vertical on the car and wanted maximum output of the transmitter. This meant that the tuning procedure should be carried out with the unit set in the position it would have in the mobile. The critical controls for output are the plate-tune capacitor and the loading capacitor. The other controls can be touched up in the shack to a dummy load. Unfortunately, the final controls can only be reached through two holes on

the side of the chassis, naturally the side that you can't get to. The later model HE 45's have the final controls so they can be reached from the front, so I removed 3 crystal sockets (of which there were 6), removed the bracket holding the final tank assembly and remounted this bracket so I could tune the final from the front through the holes left by the removal of the xt1l sockets. This not only allowed the tuning to be done with the rig in the operating position, but apparently this new position is a better one for parts than the original. Output and audio are much improved so look for me mobile.

\*\*\*\*\*

K.U.I.

By W3HKZ, Ed Kushner

The FCC gave Pan American Airways a 90 day permit to have two of their Jets communicate with ground stations via a satellite relay. The aviation industry is interested in this kind of communication for long over water flights. On Jan. 28th, a Jet flying from Hong Kong to Tokyo sent a message via satellite to a ground station 7000 miles away.

The message was transmitted over the Formosa Strait, passed through Syncom 3, which is in stationary orbit over the Gilbert Islands. It traveled 20,000 miles from plane to the satellite, then another 20,000 miles to Camp Roberts, California. The plane used 148,260 mc.

\*\*\*\*\*

SENDING: AN SOS FOR SOCIETY OF SOLID "SQUARES"

From ARMY/RESEARCH & DEVELOPMENT

VOL. 4, No. 2, Feb. 63

Submitted by, W3ELI, George Van Dyke, Jr.

As inserted into the CONGRESSIONAL RECORD by Representative Schadeberg of Wisconsin, the WASHINGTON STAR recently published remarks on "The Return of the Square" excerpted from a speech by Charles H. Brower, President of the advertising firm of Batten, Barton, Durstine & Osborne, as follows:

Back in Mark Twain's day, one of the finest words in our language was "square". You gave a man a square deal if you were honest. And you gave him a square meal when he was hungry. You stood foursquare for the right, as you saw it, and square against everything else. When you got out of debt, you were square with the world. And that was when you could look your fellow man square in the eye.

Then a lot of strange characters got hold of the honest, wholesome word, bent it all out of shape and gave it back to our children. Convicts gave it the first twist. To them a square was an inmate who would not conform to the convict code. From the prisons it was flashed across the country on the marijuana circuit of the bopsters and hipsters. Now everyone knows what a square is. He is the man who never learned to get away with wrongdoing. A Joe who volunteers when he doesn't have to. A guy who gets his kicks from trying to do some thing better than anyone else can. A boob who gets so lost in his work that he has to be reminded to go home. A fellow who laughs with his belly instead of his upper lip. A slob who still gets choked up when the band plays "America the Beautiful."

His tribe isn't thriving too well in the current climate. He doesn't fit too neatly into the current group of angle players, corner cutters, sharpshooters and goof-offs. He doesn't believe in opening all the packages before Christmas. He doesn't want to fly now and pay later. He's burdened down with old-fashioned ideas of honesty, loyalty, courage and thrift. And he may already be on his way to extinction.

He and all the rest of us are living in a country today that is quite different from the one that we were taught to love. Parents have successfully defended in court their children's right to ignore the flag salute. Faculties and student bodies have found it distasteful to publicly take an oath of loyalty to their country. And the United States Military Academy has found it necessary to place a sign beside its parade grounds at West Point reminding spectators that it is customary for men to remove their hats at the passing of the banner that was once unashamedly referred to as "Old Glory."

What has happened? I think we have changed from an exporting country to an importing country.

I do not mean that we have let the world drain all of our gold away, although that is bad enough. I do not mean any imbalance of trade, as threatening as that may be. I mean that we have been importing, instead of exporting, ideas.

The United States of America was once the greatest exporter of ideas the world had ever known. We created and sold abroad the idea of individual dignity, responsibility and freedom. We created and sold the idea of government of the people, by the people and for the people - an idea that is still being bought today. We exported the idea of freedom of worship ... the idea of an unfettered press ... the idea that those who are taxed should be represented.

It is hard to find a basic idea that America has recently exported. We have bought in the bazaars of Asia Minor the idea that an honest man is either a fool or a liar. For our most mortal enemy we have bought the idea of a strong government for weak people. We have bought abroad the ideas of "Let George do it" - or "What's in it for me?" - and the gesture of the neatly shrugged shoulder.

But, most significant of all, most of us have been gullible patrons of the export firm of Sigmund Freud, who has sold us the idea that all men are born feeble, that we should abandon our ancient disciplines as too stark for the poor souls that we are, and seek our salvation through group support. Freud's discovery that man was not adjusted to his world, and could never be truly adjusted, seemingly justified the lazy cynic and condemned the square. For if you can't win, what is the use of trying? And here was the first great authority who said, "You cannot win."

This country was discovered, put together, fought for and saved by squares. It is easy to prove that Nathan Hale, Patrick Henry, Paul Revere, George Washington, Benjamin Franklin and almost anyone else you care to include among our national heroes were square. This can be proven by simply thinking what they might have said had they not been squares.

Nathan Hale: Me spy on those British. Are you trying to be funny? Do you know what the do with spies they catch? I'll give you a news flash, chum. They hang them.

Patrick Henry: Sure, I'm for liberty. First, last and always. But we've got to be a little realistic. We're a pretty small outfit. If we start pushing the British around someone is going to get hurt.

Paul Revere: What do you mean - me ride through every Middlesex village and town? and in the middle of the night, yet. Why pick on me? Am I the only man in Boston with a horse?

George Washington: Gentlemen, I am honored. But I do wish you would try someone else. Let's say, General Gates. I'm just getting things organized at Mount Vernon.

Benjamin Franklin: Who we really need, for Ambassador to France, is a young man. I'm 70 year old. It's time a new generation took over.

Arnold Toynbee, the famous historian, says that of 21 notable civilizations, 19 perished, not from external conquest, but from the evaporation of belief within.

Today, our country still has a choice. I believe it has already begun to make that choice. I believe it is going back to its old beliefs in such things as ideals, pride, patriotism, loyalty, devotion and even hard work.

The forces of conformity are still strong. Too many of us are still sitting it out instead of sweating it out. Too many of us haven't got the guts to stand up straight and dare to be square. Because the opposite of square is round, and being round is so much simpler. Responsibilities and problems roll off nice and easy. And we can just roll down the path without any bumps, being careful to stay in the middle, because that's where the most comfortable ruts are.

How shall we fight for personal independence? How shall we avoid the group poop, the vortex of mediocrity, the great nothingness of cynical sophistication and bored nonparticipation?

I suggest that we all join the SOS. The SOS is the Society of Squares. It doesn't exist, but it could. Not a leftwing organization. Not a rightwing organization. Just an organization with wings.

\*\*\*\*\*

#### ZERO BEAT

By W8HHS, Doug DeMaw Editor VHFER  
10598 Peninsula Drive, Traverse City  
Michigan

Being properly licensed to operate a "Ham" station, having a clean signal and remaining within the confines of prescribed frequency boundaries as set forth by F.C.C., is not always sufficient to make you completely "legal" with regard to Federal Laws.

The improper use of call signs by even the most "seasoned" operators is startling, to say the least. Although citations are less frequently given on the VHF and UHF bands, (due to limited propagation and lack of C.O.'s) improper call sign usage is the mark of a "sloppy" operator.

Phonetics are legal...only if used correctly. They are unnecessary for the most part and should be used only in instances where readability is a problem. The prescribed manner is to give the other station's call sign first and your call sign last. e.g. -K7AAD, this is W8HHS calling...or, K7AAD, this is

W8HHS standing by. Under difficult conditions it is acceptable to say, "W8HHS, this is K7-Able...Able...Dog, K7AAD calling and standing by." It is not only foolish to phonetically spell out the other fellow's call letters...it is unnecessary. After all, he knows what HIS call sign is! Yet, station after station uses phonetics (sometimes rather juvenile at that) when giving the other fellows call as well as their own. If phonetics must be used, your call sign must be given as K7AAD just prior to standing by. Your call sign must be the last used following any transmission. It is ILLEGAL to put your call sign first and the other station's last, e.g., "this is W8HHS calling K7AAD and standing by." Yet, you hear this being done time and time again on the bands. An A-1 operator would not be guilty of this practice.

Another highly illegal but frequently practiced "boo-boo" is carried out by the "nutkie pie" operator. He can be heard to say (using his call sign), as he stands by, "W8HHS this is K7A-A and a D." He might be heard saying this, "W8HHS, here is K7 "Awfully-Awfully-Delightful", or some such childish thing. It is ILLEGAL as well as being characteristic of "lidsism". There seem to be guys who lie awake nights thinking up silly phonetics for the call signs of fellow hams. This sort of thing is O.K. for the club "smoker" or ham picnic maybe, but has no place on the air.

The other fellow's call MUST be used in its entirety too. I've had a number of fellows who know my call sign as well as their own, who insist on coming back to me with, "8HHS (or W8HS), this is K7AAD". (Loren's and my call signs used only as examples in this text).

In qualifying for a ham license, knowledge of proper call sign procedures must be proven. Why then do these violations continue? Amateur radio is a serious pastime. The same skill and effort used in propagating a DX signal should be exercised in maintaining good operating habits. Fun and games have no place on the air if you consider yourself a serious amateur operator.

Smut and vulgarity have their place too...but not on the air. I was in a net for a year once (in another call area) and one of the net members had a call sign ending in "IPV". He insisted on saying, "this is W-I-Pee-Vigorously". In reality he was the only net member who was amused by this. I have heard suggestive phonetics much worse than this too...and used on the air!

A little serious effort to clean up our operating habits will keep all of us legal, create better world-wide images of the American amateur and give us the satisfaction of knowing we are not "lids".

## TWO METER ACTIVITY

By W3LHF, David Zimmerman

It seems that the usual situation prevails after every contest. The bulk of the group crawls off into wherever they came from to populate the band during the big battle. Things have not been exactly jumping, although there is a real rare one to report. One of our brethren, known to all hands, has been heard on two meters, SSB no less. Not only that, but he has been heard in two different spots in the band at the same time! This is a feat that can only be accomplished with the better and more expensive rigs.

A bit of snooping has shown nightly QW operation by a number of people, notably W2AZU, known to all for his converter fame. I have heard one eighth district station coming through S5 during a sked and several calling a fifth district station and it appeared that a contact was made although this is unconfirmed since some info is often transmitted in the hope that bits will be copied.

Maybe this would be a good time to once again remind all hands that by gentlemen's agreement, the lower 100 kc of two is reserved for CW and the fone boys should not operate in this portion. To my knowledge, the Pack Rats for the part, have always honored this agreement, and there is no reason to feel that this will change. There is, however, an Oscar shot coming up, and some of this operation will be attempted on cw. It is important that during the course of waiting for a pass of a satellite, or after one has gone by, the lower end of the band is not hogged-up with chit-chat. A serious DX attempt may be jammed in so doing.

Several moderate openings have occurred during the latter part of Jan. and the first two weeks of Feb. K4WOB is on from Va. looking for contacts up this way. K3VCJ from Baltimore would like more Rats for a certificate. Watch for a warm or cold front to move in from the west during the early evening. Most of our extended ground wave occurs during these times. March and April are good months.

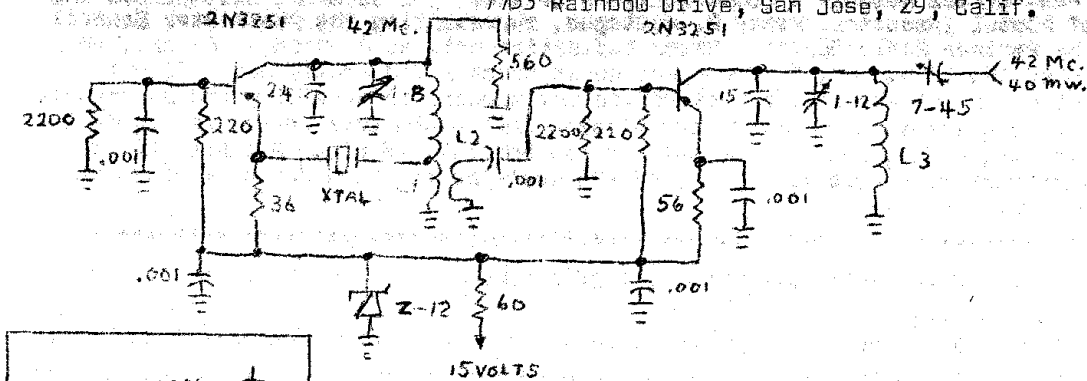
That's about it for now, don't forget, next meeting is homebrew night.

DON'T FORGET! CHEESE BITS' NEW ADDRESS: 821 W. LINDLEY AVENUE, PHILA., PA. 19141

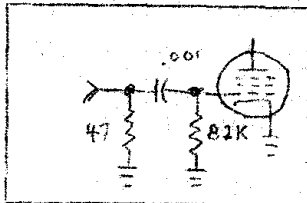
## A STABLE OSCILLATOR FOR VHF-UHF

From VHFER

By KG6CP, AFA6HCP, Ken Holladay  
7733 Rainbow Drive, San Jose, 29, Calif.



15V6L7S  
Transistor types 2N708 or 2N706 may be used if zener diode and power supply are reversed.



Grid Circuit of  
12BY7A amplifier

At six meters the generation of a frequency with adequate stability for single sideband is not very difficult. However, as you go higher up in frequency you find that generating a SSB signal that has the stability you are accustomed to on the lower frequencies can become quite a problem.

I read many articles on stable oscillators and did a lot of experimenting to find something that would give me the stability I wanted at 432 Mc. I found that the transistorized Hartley oscillator did by far the best job. In my experimentation it appeared that the variation in frequency was primarily a function of the crystal temperature in the Hartley circuit. Therefore I experimented with various methods of maintaining the crystal at a constant temperature.

Stability can be increased by putting the crystal in an oven of 0.1 degree Centigrade stability or better, but ovens like this are hard to come by and very difficult to build. The standard crystal oven (the clicker type) is not satisfactory. While it maintains the average frequency well, the crystal oscillator will vary its frequency significantly during the heating and cooling cycle of the oven. In other words, the short-term stability is not acceptable.

In order to isolate the crystal from temperature changes, it was put into one of the clicker ovens but the oven was not operated. The oven acts only as a thermal barrier, keeping any quick temperature changes from getting to the crystal.

The stability of the oscillator circuit shown is about 1 part in 10 million or plus or minus 4 cps at 40 Mc. over a fairly long period of time. Stability is plus or minus 0.4 cps at 40 Mc. over periods of 5 to 10 minutes if the room temperature is fairly stable.

I am presently using this circuit to multiply to 382 Mc. which I use to mix with 50 Mc. SSB to get on 432 Mc. SSB. The drift at 432 is completely negligible. I have QSOs for over an hour with people who have not had to retouch their receiver tuning after the initial call.

### CIRCUIT DESCRIPTION:

The oscillator is a Hartley type. The crystal operates in its series mode. It is connected between the transistor's emitter and a tap about one turn up from the bottom of the collector coil. At frequencies below 35 Mc., a 1 or 2 turn link may be used. The tap or link should be adjusted to provide just enough feedback to make the circuit oscillate.

Be sure to use as high a C to L ratio in the collector circuit as possible. When you "grid-dip" the collector coil, remove the 560 ohm resistor and apply DC to the circuit because the collector capacity of the transistor (internal) will vary with collector current and change the tuning of the circuit.

The buffer's output is matched to the next stage by means of a variable capacitor. Maximum output is 40 milliwatts into a 50-ohm resistive load. In my system the driver drives a 12BY7A amplifier which furnishes more than three times the drive I need to operate a 5763 tripler.

Well, that's it. The oscillator has a multitude of uses in transmitters and converters. I hope you will find the circuit as useful as I have.

From United States Post Office Department Network (PON) Newsletter.  
Submitted by K3G0Z, Herman Klein

**The Post Office Network's Communications Officer, Sol Gershon, accompanied the Chief Postal Inspector, Henry S. Montague, representing the Postmaster General to the Amateur Radio Operator Stamp Dedication held at Anchorage, Alaska, on December 15, 1964. Mr. Montague was guest speaker and really went all out praising the efforts of the Post Office Net members in providing the Department with needed information during the Alaskan Earthquake emergency. Mr. Erwin E. McCafferty, W7URY, was singled out for his special efforts. All Post Office Network members should feel proud of the Net's performance during Alaskan and other emergencies.**

\*\*\*\*\*

Letter from Ex-Pack Rat K2UWV/5, Bill Stackhouse

Dear Mother Rat:

Just received Cheese Bits yesterday, sure was Good to get some news from home.

As you can see by the address we have changed locations again. This was brought about by the Hazel Atlas Glass Co. closing down the plant at Lancaster, N.Y. My new position is Supt. of Production for the A.H. Kerr Glass Co. at Sand Springs (Okla.) We bought a place here that is 800 ft. above Tulsa and most of the countryside around.

There is very little six meter activity in the Tulsa area due mostly to Channel 2 and a bunch of chickens. Hi! They are afraid of T.V.I.

I am running 100 watts to an 829B both AM and NB FM. No T.V.I. (yet).

I have a Heath SSB rig working and am building a 1/2 gallon linier for it. I also have 100 watts on two meters both AM and NB FM.

Just finished a new Heath monitor scope.

Have applied for a new call and will let you know when I get it.

There was one opening in Dec.-worked North Carolina and Tenn., other than that things have been very quiet.

I am on most every night working Ark. and Okla City.

Chicken and I are taking organ lessons in our spare time. Just can't get Chicken interested enough to get a ticket.

~~Will drop you a line now and then and let you know about activity here in Okla.~~

Tell Frankie to say Hello to the gang for us and that we often think about them.

73 & Stay Alive in '65,  
Bill & Chicken  
K2UWV/5  
4408 Maple Drive,  
Sand Springs, Okla. 74063

\*\*\*\*\*

Dear Mother Rat:

Received the January issue of Cheese Bits today and it reminded me that my yearly report to you is due! Always good to get the Cheese Bits and find out what's going on up in the old territory.

Bernice (K4ROI/WA3AIU) and I bought the old Henry Clay home here in Hanover County last September. The old "barn" was built in 1810 and has had additions in 1950 and 1959 and is really in excellent shape. We're located right on US Route 1, and 1 mile west of Interstate 95, 17 miles north of Richmond. Anyone of the Pack Rats traveling these routes are invited to stop and visit and pick up a cup of coffee and some conversation. (Might just take you up on that, John, and get a chance to finally meet you. M.R.)

We've also put up a 60 foot tower with an 11 element two meter beam up 8-' and an optimum spaced Telrex 6 element beam for 6, up 68', to go along with the Clegg Zeus and Interceptor B. We've been quite successful lately on 6, having worked K3ZKY, Jim, in West Chester, Pa.; WB2MNO, George, in Gibbsboro, N.J.; K3QNB, Garry, in Secane, Pa. among others. We work consistently into Washington and Baltimore whenever the beams are pointed down this way.

You might also hear us in the Philadelphia area both mobile and fixed as both of us have "3" calls to simplify working in the area north of us when visiting my mother.

....by the way, noted in Cheese Bits that W2UZN/4, Jim, is an ex-member. We have worked Jim and a couple of his buddies a few times and will pass along our regards next time I talk to him.

Please give all the Rats our very best wishes for a most happy new year.

73,  
John H. Hill, K4MLY/K3FUS  
Merry Oaks, Ashland, Virginia



SWAP & SHOPPE

Conducted by, W3ZRR, Raymond Whitehead  
4534 N. Smedley Street,  
Phila., Pa. 19140  
215- DA. 4-5910

FOR SALE: H.B. 6 meter Xmitter, 2E26  
final. Metered. Loading  
controls. VFO or Xtyl.  
20 Watts in. 10 watts out.  
Power Supply. \$25.00

CONTACT: K3WZI, Glenn Hull  
6707 Woolston Avenue,  
Phila., Pa. 19138  
215- LI. 9-9392

FOR SALE: 3E1. Telrex 6 meter beam  
Excellent Condition  
(Steelwooled-rust proofed)  
\$8.00  
10 meter drapping ground  
plane. Custom machined  
base. Good Condition \$8.00

CONTACT: W3GSC, E. Schorle  
828-7025

FOR SALE: Utica 650 Transceiver with  
VFO, Mint cond. \$140.00  
Heath 80 M SSB Transceiver  
HW12-with Xtal Cal. and  
mike. \$25.00  
Heath 6-12v to 120va.c.  
power converter. \$20.00  
Webcor Tape Recorder \$25.00

CONTACT: K3DRT, Bob Pabst  
215- TU. 7-5683

FOR SALE: 1 1/2 Meter Gonset Communicator  
IV with crystals for 220.05  
and 221.4 Mcs. Mint cond.  
\$225.00

Tapetone TC-136 Converter for  
136 Mcs. Satellite Signal  
Tracking, less power supply.  
\$75.00

CONTACT: W2BAY, Ed Braddock  
P.O. Box 305,  
Haddonfield, J. J.  
609-429-0087

FOR SALE: Utica 650 with VFO 110 V A.C.  
12 V D.C. A-1 cond. \$125.00

WANTED: 220 Mc. Trans.

CONTACT: WB2EEH, Joe Raffa  
Ancora, N.J.

FOR SALE: 2 meter Gonset VFO. \$95.00  
5 el Cushcraft 6 meter beam  
\$5.00  
Heath 6'er  
\$15.00  
220 Ameco converter, 14 meg.  
with power supply \$30.00  
8 el. H.B. T-20 beam \$5.00

CONTACT: K3ACR, Richard Pattison  
7778 Montgomery Avenue,  
Phila., Pa. 19117 (Elkins  
215- Me. 5-3174 Park)

FOR SALE: 432 Rig (not modified)

CONTACT: K3IUU, Bert Soltop  
8582 Benton Avenue,  
Phila., Pa. 19152  
215- PI. 2-2619

GIVE AWAY! Viarable Condensors Large  
16 lbs.  
Viarable Condensors Hi Freq.  
5 lbs.  
Fixed Condensors (Mica)  
8 lbs.  
Fixed Condensors (old)  
6 lbs.

Coils (Low Freq.) 6 lbs.  
I-F Coils-etc. 3 lbs.  
Choke Coils-receiving & trans.  
1 lb.  
Sockets- Babulit old 4-5-6  
prong 2 lbs.  
Sockets- Octal 2 lbs.  
Insulators- small 2 lbs.  
Insulators- large (antenna  
mounts) 10 lbs.  
Selenium Rectifiers 1/2 lb.  
Audio Transformers 20?25 lbs.  
Power Transformers (4)40 lbs.  
Fil. Transformers (4) 18 lbs.  
Chokes -old (4 single, 4  
double) 15 lbs.

5 old burned out transformers  
30 lbs.  
Pioneer Gen-a-meter 5.6 in.  
350 V, 110 Ma out.  
6 old cabinets (Black crackel  
finish)

1 old RCA 5 meter Transceiver  
CONTACT: W3AJF, HORACE DEACON  
3019 Midvale Avenue,  
Phila., Pa. 19129  
215- VI. 3-1808

CONTACT: W3AJF, HORACE DEACON  
3019 Midvale Avenue,  
Phila., Pa. 19129  
215- VI. 3-1808

\*\*\*\*\*

MEETING DATES

1965 MAR. 17  
APR. 21  
MAY 19  
JUNE 16

GENERAL MEETINGS are held on the third  
Wednesday, when possible, at the West  
Oak Lane Jewish Community Center, Sedg-  
wick & Thouron Streets, Mt. Airy, Phila.  
at 8:00 P.M.

\*\*\*\*\*

MEETING NOTICES

MARCH 10 DIRECTORS' MEETING will be  
held at the QTH of W3KKN,  
Ernie Kenas, 2823 Old Welsh  
Road, Willow Grove, Pa. on  
Wednesday, March 10 at 8:00  
P.M. If unable to attend,  
please call 215-OL. 9-3485

MARCH 17 GENERAL MEETING will be  
held on Wednesday, March 17,  
at 8:00 P.M.

TOPIC: "HOME BREW"

\*\*\*\*\*

RADIO DOOR OPENERS (Cont'd, page 2)

would apply to radiating devices now  
outside the jurisdiction of the Commu-  
nications Act, such as electronic garage  
door openers and certain electronic  
toys. -- from EVENING BULLETIN, Feb.,  
9, 1965 (AP)

\*\*\*\*\*

DID YOU KNOW?

That W3MXW, Joe, is having Plastic  
Surgery performed at the University of  
Penna. Hospiyal, 34th & Spruce Sts.?

That W3CFS, Ed, is holding his out in  
the Phoenixville Hospital, at this  
writing?

That K3EQU, Paul, is home from the  
hospital? Welcome home, Paul.

\*\*\*\*\*

CHANGE OF ADDRESS

K2AUH; ALAN RUBEN, 1325 E. Sedgwick  
(9) Ave., Apt.#2, Phila. Pa. 19150  
215- CH. 7-5126

PACK RATS CHEESE BITS  
821 W. Lindley Ave.  
Phila., Pa., 19141

PHILADELPHIA, PA. (2)



K3BPP, Walter Bohlman  
101 East St.  
Doylestown, Pa.