

PACK RATS CHEESE BITS

VOLUME III

MT. AIRY V.H.F. RADIO CLUB, INC., PHILA., PA.
(50.2, 144.2 and 121.4 Mc.)

NUMBER 11

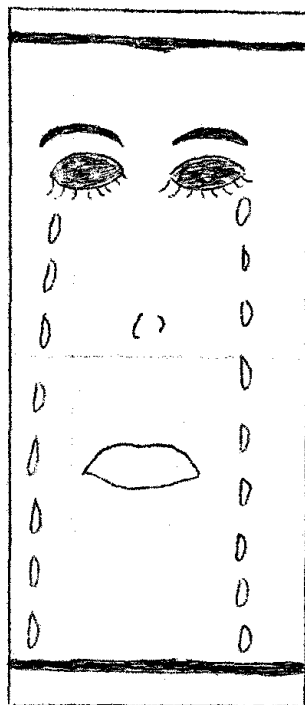
W3CCX

(Meeting notice, last page)

FEBRUARY 1961

1961

V.H.F. S.S.



CRYING TOWEL

"Ya know wha' hopen
to me? Blah, blah, etc."

"Yeah? It ha' hopen to
me was, blah, blah and
blah!"

(See next page for "It ha'
Hopen")

"WHA" HOPPEN"
JANUARY 7th & 8th

"MY FIRST CONTEST"

BY
NOOIST WRATT K3JJZ

Before being associated with the "wratts" I was the kind of operator who purposely stayed off the air during contests. Why add to the QRM?? So this Wratt's knowledge of contest operation was a sad thing indeed. Two months prior to contest we submitted our application for membership in the exalted rodent organization, but being under the impression that membership was full, we felt we would not be operating contest as a Brother Wratt. We did intend to get on the air just long enough to give the club members some points, and then have a normal weekend.

So the Big Surprise came in the form of membership. We were now a Brother Wratt and as such, were obliged to operate contest for the good of the organization. They needed us and we needed them.

The first preparation at the QTH was informing the XYL, who hates ham radio with a purple passion. After a near divorce, it was decided that she would spend that particular weekend with her mother. Obstacle number one, encountered, engaged, arbitrated and compromised. The next item on the agenda was to get the rig ready. The first construction project was a new operating stool. Obstacle number two--designed, constructed, tested, collapsed, redesigned, reconstructed, retested retained. The microphone came next. We were too cheap to go out and buy a goose neck like Brother Joe showed, so we cut up a piece of metal cable and made our own. We then prepared the score sheets and check lists, put a foot heater in the shack, and made ready enough vittles to see us thru the ordeal.

The next obstacle again concerned the XYL. She saw no reason why she should not have the car for the weekend. This would throw a monkey wrench into our operating plans, since we intended to operate both fixed and mobile. At this point I would like to thank little Brudder, K3NLZ, for the solution to this problem. He would take care of the transportation angle. The following, as near as I can recall, is what happened during the contest.

Jan. 7 - 1000, can't sleep, turn on rig for final check. OK. Hear Bert asking for help in putting up an antenna.

1015, Bert and I on roof changing a rotator.

1140, pick up XYL at bus stop.

1230, eat and call Little Brudder.

1315, Little Brudder arrives to remove XYL from premises.

1350, won't be long now, getting nervous.

Jan. 7 - 1401, reach for TR Switch, contest on, I'm not. No grid drive, VFO not plugged into rig.

1404, on the air and in the thick of things. Amazed at the noise. They really crawled out of the woodwork.

1900, not doing too badly. Things seem to be moving along all right.

1915, something funny is going on. Every once in a while the receiver goes dead.

1945, can't find solution. Try tuning around, Aha-- Seymour, one block away, is completely blocking my receiver.

1950, decide to try to make our contacts in between Seymour's.

2015, sort of difficult, but we are plodding thru.

Jan. 8 - 1100, Little Brudder calls on landline to find out if I'm still alive.

1115, Little Brudder comes over with the Communicator III and a bowl of soup.

1118, using the receiving section of Comm. III and seem to have no blocking problems. Contacts much easier to make.

1400, things pretty dead on Six, can't find any new contacts. Don't have gear for other bands. Decide to go mobile.

1410, Sixer is completely blocked by K3CHN, W3HYJ, W3GEC, K3IUU and others.

1416, Remove Sixer from car and replace with Comm. III.

1420, operate mobile for next four hours. Wish for a mobile VFO. Cold out here, wonder how long car battery will last.

1818, go inside, suffering from one dead car battery, one sore throat and two cold feet.

1820, recuperate and am ready to resume operation from home QTH.

1824, rig shows downward modulation. Something went. More problems. Decide it will take too long to fix.

1826, go outside and remove Comm. III from car. Bring it into shack and proceed to hook it up in home QTH.

1845, hooked up and operating, things go smoothly for awhile.

(Cont'd on page 7)

VT TUBE CONVERSION (CONT'D)

VT#	COMML#	VT#	COMML#
VT-247	6AG7	VT-268	12SD7
VT-248	1808P1	VT-269	717A
VT-249	1006	VT-277	417
VT-250	EF50	VT-279	GY2
VT-251	441	VT-280*	C7063
VT-252	923	VT-281*	HY-145ZT
VT-254	304TH	VT-282	ZG489
VT-255	705A	VT-283*	OF-206
VT-256	ZP486	VT-284*	OF-197
VT-257	K-7	VT-285*	OF200C
VT-259	829	VT-286	832A
VT-260	VR75-30	VT-287	815
VT-264	3Q4	VT-288	12SH7
VT-266	1616	VT-289	12SL7GT
VT-267	578		

* INDICATES VT NUMBER HAS BEEN CANCELED

The VT TUBE CONVERSIONS are through the Courtesy of "The KINGFISH" Walt, K3HAF. May dere, Kingfish:

Remember when you-all done brought the item over to me, you-all done tole me it would take up a full page. You know what you-all done did? You-all done tole me a story; it took more than one page.

Andy an Ah, and de rest of de rahts, sho do apprecilate what you-all done did fo us.

Andy an Ah, all done send our love to Sapphire.

88,
Madame Queen.

"CHEESE BITS" IS PUBLISHED MONTHLY BY THE MT. AIRY V.H.F. RADIO CLUB, INC., 20¢ a copy \$1.00 A year

EDITOR: HELEN BRICK, XYL, W3SAD
829 W. Fishers Avenue,
Phila., 41, Pa.

PRESIDENT: W3HKZ, Edward Kushner
VICE-PRES: K3HWZ, William McCutcheon
TREASURER: W3MVF, David Bloch
REC. SEC.: W3ZRR, Raymond Whitehead
COR. SEC.: W3SAD, Francis Brick

CLUB CALL: W3CCX
TRUSTEE: W3FOZ, Charles Koelsch
2600 Horsham Road,
Hatboro, Pa.

DIRECTORS: W3KKN, Ernest Kanas
W3CL, Harry Stein
W3JSD, John Houser
W3CKP, Warren Parker
K3CIV, Ralph Hersh,
expofficio.

COUNCIL REPRESENTATIVES:
W3AYG, John Harris
K3LBT, Alfred Obenland

MEETINGS: DIRECTORS: SECOND WED.
OF EACH MONTH.
GENERAL: THIRD WEDNESDAY
OF EACH MONTH.

MEETING PLACE: WEST OAK LANE JEWISH
COMMUNITY CENTER, SEDGWICK
& THOURON STREETS, MT.
AIRY, PHILA., PA.

NETS: 144.2, 2000 each Monday
50.2, 2100 each Monday
221.4, 2200 each Monday

Expiration dates of licenses are trickling in slowly. One thing we have noticed is that some of you are looking at the date on your license, and are surprised to find out how near the date of expiration is. Take the case of one member that I have known for over 23 years. When I told him that he would need a renewal form in a couple of months, he said his license didn't expire until 1962. I said, "Wanna bet?" So he looked at it, and sure enough it expires 7/5/61.

Then there is another member, while talking to him on the phone, I asked him for his expiration date, and he discovered that his expired in Feb. '62.

Why not look at your license, and then send me the expiration date, and your card will be filed for an automatic renewal form two months before it expires to be sent to you. Don't be like the ham who did forget and just received his renewed license in time for the contest.

Also in regards to liceses. A question was asked about the proceedure on what to do when change of address and renewal occur at the same time. Having the renewal forms, we were fortunately able to answer this question.

Under "General Instructions" it reads; "1. Do not use this form if (a) license has expired or will expire before application has been received in Washington, or (b) the location, specified equipment, frequencies, etc. are to be changed."

Sooooo--the most natural answer to the afore mentioned question is; apply for change of address immediately and then apply for renewal. Fortunately for the party asking the question, his license, and change of address occur in May, so he has the time to do both.

K.U.I.

By W3HKZ, Ed

Kudos for Ernie, Joe and Ozzie for a job well done as our contest committee. With more than 90% club participation, win or lose, the Pack Rats did a commendable job. Our heartfelt thanks to our Editor, Helen Brick, who besides having "Cheese Bits" out on time, with a fine edition, also handled all the paper work for the contest committee.

For those interested in mobile work, particularly low battery drain and transistor transmitters, there is a new tube on the market that is similar to the 6146 power pentode that does not draw heater voltage in standby condition. It is a 4606 tube that has a unique oxide-coated filament that heats up in one second. The filament draws 0.64 ampere at 6.3 volts and can deliver 30 watts output to 175 mc.

The IRE bulletin answers some questions the answer sometimes may depend on whether you are an optimist or a pessimist. For benefit of those readers of the latter persuasion, there is listed below a few definitions pertaining to the audio field.

Audio Amplifier- A device for adding distortion to an audio signal.

Compliance- The result of weak resistance.

FM- A system for listening to a phonograph played at a remote location.

High Fi- High finance or what a sales dept recently discovered in equipment you have been making all these years.

Stereo- A more expensive phonograph for playing more expensive stereo records through more loudspeakers.

High Fidelity- A phonograph; also see FM.

Super Fi- Your system, as compared to the one your friends own.

Ultra-Fi- What your friend thinks of his system, compared to yours.

High Fi Record- Any phonograph record pressed later than the year 1926.

Loudspeaker- A transducer for converting electrical energy into noise energy.

Program Equalizer- Means for modifying a program according to judgement of the music director.

Tone Control- Means for modifying or neutralizing the judgement of the music director.

Flat Response- Characteristic of an audio component which tends to flatten the pocketbook.

By Smel A. Rhat

The annual VHF contest is over, and things have once more returned to normal, that is over modulation, some cruddy signals, and the usual Chit-Chat of the bands. The scores are being counted, and in a few weeks we will know which club won, because once the score sheets are turned in, there is no longer any need for secrecy.

But no matter which club wins the old gavel, the Pack Rats can be justly proud of their joint effort, because it will be seen in the final analysis that the average score of the club members will far exceed that of any other club in the nation! It is only a pity that their are some few members who for many and varied reasons, and excuses cannot bring themselves to put their shoulders to the collective wheel to insure an overwhelming victory. Already you can recognize the true contestant, because he is already analyzing his mistakes and rig deficiencies of the recent contest in order to better his performance next year. May you succeed in getting all your changes made before the next one!

But enough of the contest -- the next big affair on the calendar will be LADIES NITE which will occur sometime in April or May. This affair is a dinner dance with entertainment and is traditionally an outing to reward the XYL's and YL's for their patience and forbearance and meal serving while the OM was putting full time on the contest. Let us hope that your XYL or YL thinks that she deserves to attend because of your effort in the contest.

There is one caution about LADIES NITE, and that is this -- late arrivals will most likely find that there is no space for them as well as no food. The Committee, which puts on the affair, has enough to do to insure a good time for those who make their reservations in advance, without worrying about last minute arrangements for ANYONE. So, forwarned is forarmed: NO LAST MINUTE RESERVATIONS WILL BE MADE! You will have sufficient advance notice, both on the air and in "Cheese Bits" from time to time.

There was evident, during the contest, a great many signals which were modulated excessively, and in case you don't get it, I mean OVERMODULATED. Now maybe it helped to get a signal through but I doubt it. Overmodulation was practiced on both sides of the river, so neither club can blame the other. It should be pretty obvious by this time that when you turn up that audio gain control, you make it very hard on your own club members, as well as the opposition! It should be also very obvious that some of the high power boys on both sides of the river, worked some pretty high scores AND WERE NOT SPLATTERING ALL OVER THE

SMEL A. RHAT (CONT'D)

BAND.

So for one thing to get going on before contest time next year, build yourself a modulation monitor.

SMEL

COMING EVENTS CAST THEIR SHADOWS!

LADIES NITE

What can I say about "LADIES NITE" that Smel A. Rhat has not already said?

Well, I can say this; "Remember Jan. 14 & 15? That weekend was yours! For the XYL, or YL, it was a "LOST WEEK-END", SO WHY NOT TREAT HER TO A NIGHT OUT?

I can also stress the fact that NO LAST MINUTE RESERVATIONS WILL BE HONORED. You must send your money along with your reservation. As far as we know, right now, you should send your reservation and money to W3JSD, John Houser, 612 Pinney Road, Box 55, Huntingdon Valley, Pa.

Definite information, as to place, date and time will appear as soon as arrangements have been made.

ANOTHER COMING EVENT, ALTHOUGH IT MAY BE QUITE IN THE FUTURE, IS OUR PICNIC!

We know that the picnic is not until the second Sunday in August. (as who shouldn't) The main thing is this; with the exception of Bert, K3IUU, we have not been receiving trading stamps for prizes. The stamps that we are saving are; S. & H. Green Stamps, and TOP VALUE Stamps, and GOLD SQUARE TRADING Stamps. WE have one book of TOP VALUE STAMPS, (A GIFT AT LAST YEAR'S PICNIC), ONE BOOK OF S.& H. GREEN STAMPS, WHICH I HAVE FILLED, and it costs too darn much to go out and eat every night, AND ONE AND TWO THIRDS OF A BOOK OF GOLD SQUARE TRADING STAMPS from Bert.

THE QUESTION IS THIS: WON'T THE XYL'S PLEASE SHARE THEIR STAMPS WITH US?

FROM JIM, W3SMK

From a recent edition of THE CHURCH NEWS, the following item appeared:

RADIO HAMS WANTED. ALASKAN PRIEST CALLING

"Calling all hams, Episcopalian hams, that is, who would like to be of help in the advancing the work of domestic and foreign missions of the Episcopal Church.

Father Cameron Harriot, of Ketchikan, Alaska, is presntly compiling a list of names and call letters of all hams who are interested. If you are an Episcopalian and a ham operator, get in touch with Father Harriot at St. Elizabeth's in Ketchikan, or KL7DDW. He has a 40 watt transmitter which he

operates on 40 and 80 meters. He is hoping to publish this list of hams, whom he has contacted, and send a list to all those on it. In that way they can contact one another on matters related to this operation. He hopes to establish contact with foreign missions and to be of service to them through his ham set. Also as a project, he plans to have children of Sunday School and various organizations presidents talk to their counterparts in the "Southern 49" for exchange of ideas.

Another ham operator heard from is Bro. John of the Holy Cross Order, West Park, New York.

With his 4KW transmitter, he stays in touch with a mission in Bolahun, Liberia. He thinkably works with other operators in the Virgin Islands, Peru and the Congo.

He also contacts servicemen in Dew of the Artic Circle. He is on the air about one hour each day."

I don't quite understand about the 4KW Transmitter, but maybe he has some special dispensation!

THANKS TO A.G. RADIO PARTS CO. & John Llopes, for the copies of, "G.E. HAM NEWS."

Thanks also to John, W3JSD, for picking them up each time.

Received a card from Ralph, K3CIV, in Florida. He says the weather is OK, but he came down with a cold, which is breaking up now. K3CZI, Al, who went down with Ralph is in the hospital. Ralph says he don't know what is the trouble.

Ralph also wanted to know what happened to "Cheese Bits".

That is a question! What did happen?

They were mailed on the 8th of January, and they went through the main Post Office OK, so the trouble must lie with your Local Post Office. We know they left the 30th St. Post Office on time, because quite a number received them on the 9th or 10th. Others did not receive it until the 16th, and K3MTL never received it. Don't worry Court, I have just one extra copy which I am mailing along with this one.

K3ERX, Helen, while working Frankie on the contest, asked if her subscription had run out, as she did not receive it in November or December. We told her that it did not expire until February and asked her to let us know whether or not she receives the January issue. Sure enough, before the end of the week we received a note saying she got and also that she and George are leaving shortly for Hawaii.

Court, Helen lives in Media also. The guys at your Post Office read hers in Nov. and Dec. and read yours in Jan. Maybe I should send them a copy also.

ARRL V.H.F. SWEEPSTAKES RESULTS, JANUARY 7 & 8, 1961

<u>CALL</u>	<u>HANDLE</u>	<u>CONTACTS</u>	<u>SECTIONS</u>	<u>TOTAL SCORE</u>
W3AJF	Horace	241	9	9158
K3ALK	George	203	5	6090 ***
W3ASD	Karl	195	18	8970
K3AUH	Al	311	8	11196
W2AXU	Jack	300	8	10800 **
W3AYG	John	210	4	5880
K3BEF	Al	226	4	6328
K3BGT	Harvey	229	6	7328
W3BMA	Dick	(Worked with K3BVZ)		
K3BFP	Walt	307	6	9808
K3BRJ	Jack	43	3	1118
W3BRU	Frank	157	6	5024
W3BVR	Ted	214	5	6420
K3BVZ	Ben	140	5	4200
W3CFS	Ed	175	6	5600
K3CHN	Seymour	215	5	6450
K3CIV	Ralph	165	6	5280
K3CJV	Jack	130	4	3640
W3CKP	Warren	397	14	19032 (5)
W3CL	Harry	440	9	16720
W3CLT	Doc	18	2	432
W3CPT	Ken	123	4	3444
W3CXU	John	266	5	7980
W3DIR	John	80	2	1920
W3DRD	Tom	108	4	3024
K3EHQ	Jim	8	1	176
W2EIF	Joe	484	14	23232 (3)
K3EMA	Pete	72	2	1728
K3EMR	Gus	233	4	6524
K3EOD	Al	151	4	4214
K3EPB	Howard	125	4	3500
K3ESL	Ben	310	6	9920
W3F0Z	Charlie	273	5	8190
W3F0D	Dick	362	9	13756
W3F5C	Ossie	359	9	13642
K3GAS	Doc	125	4	3500
K3GAY	Don	63	6	2016
W3GEC	Joe	225	5	6750
W3GEW	Sid	101	3	2626
K3GFC	Frank	90	2	2340
K3GFF	George	164	3	4264
K3G0Z	Herm	166	3	4303
W3GXB	Bob	250	5	7500
W3HAB	Monroe	170	4	4760
K3HJA	Earl	139	5	4170
W3HKZ	Ed	364	7	12342
W3HKZ/M3		40	2	480
				<u>12822</u>
K3HSS	Charlie	152	4	4256
W3HYJ	Joe	528	19	30504 (1)

<u>CALL</u>	<u>HANDLE</u>	<u>CONTACTS</u>	<u>SECTIONS</u>	<u>TOTAL SCORE</u>
K3HWZ	Bill	132	4	3696
K3HWZ/M2 N.N.J.		9	2	216
K3HWZ/M2 S.N.J.		10	3	260
K3HWZ/M3 E. Pa.		21	1	462
				<u>4634</u>
W3HYD	Lenny	210	6	6432
W3IBH	Charlie	300	8	10800 **
K3IBO	Bill	260	7	8840
K3IFH	Ed	63	2	1572
W3IHT	Doc	281	6	8960
W3IHT/M3 E. Pa.		7	1	154
W3IHT/M2 S.N.J.		3	2	72
				<u>9186</u>
K3IPM	Stan	258	7	8172
K3IUV	Bert	404	10	16160 *
W3IXL	Ellis	305	6	9760
K3JJZ	El	181	5	5430
K3JJZ/M3		40	2	960
				<u>6390</u>
W3JSD	John	235	7	7990
W2KFC	Lee	375	9	14155
W3KKN	Ernie	541	15	27025 (2)
K2LXI (K3KMN)	George	256	11	10676
K3KVS	Jerry	121	3	3146
W3KXH	Jim	192	3	4992
K3LBT	A1	98	2	2744
K3LBT/M3		9	2	216
				<u>2960</u>
W3LHF	Dave	254	6	8128
K3MSV	Jule	124	2	2976
K3MTL	Court	203	5	6090 ***
W3MVF	Dave	204	5	6120
W3NSI	Lyn	201	4	5628
W3OZP	Bill	56	2	1344
W3QAS	Lyn	133	4	3724
W3QB	Jay	65	2	1560
K2QOS	Mike	41	2	1066
W3SAD	Frankie	352	7	11968
W3SMK	Jim	240	6	7664
K2SMZ	John	319	4	8932
W2SXO	Bill	74	5	2222
K2TYW	Ed	290	19	22591 * (4)
W3TYX	Bud	319	13	14628
W3UMI	Willie	159	4	4452
W3VGN	Harvey	144	3	3744
W3ZEY	Russ	162	6	5184
W3ZRR	Ray	125	4	3500
W3ZTL	Myles	79	3	2054
			<u>TOTAL SCORE</u>	<u>617490</u>

* K2TYW, No. 1 Tech. and No. 4 high score.

** Tie Score between W2AXU and W3IBH. AXU on 2 & 6, IBH on 2 only.

*** Tie Score between K3ALK and K3MTL, both new members

"MY FIRST CONTEST"
(CONT'D FROM PAGE 2)

Jan. 8 - 2215, reached for TR switch.
Lot of horrible pain in shoulder. Get up and walk around.
2225, reach for TR switch, same pain, but more severe. Decide to quit, close down gear. Next year will hook up a foot switch.
2308, take a shower, hit sack. Can't sleep, keep hearing call letters.
2330, finally asleep and dream of improvements for next year.

Dear "Nooist Son":

Thanks for the write-up. You sure did get in there and operate, especially since you were not a contest man.

There's only one thing. You left all of us out on a limb. Did your XYL come home or stay at her mother's?

Hope that cold in your shoulder is all cleared up. Instead of using the no-draft in the car, I'll bet you had the window open. Frankie does that all the time. He tells me to do it also, and I tell him NO, because I can feel it across my neck.

Any way, we certainly appreciate your wonderful co-operation.

88,
Mother Rat.

"Wha' Hoppen" to K3GQZ. Poor Herm. As you know he just moved into a duplex, and the only large outlet that he could find was in the basement. All weel and good, you might say, but after he got all set up and was working the rig, he found out that hook-up also supplied the rest of the house. Now, working in the basement, he also hooked up a heater. Well, you guessed it, each time he turned on the rig, his line drive went phew. Of course the electric heater added to the confusion.

There are plenty of other things that happened to our members, some comical and some sad, but hey are too numerous to mention. You heard most of them anyway either on the air or at the meeting.

FROM THE MAILBAG

We received the following letter from the VHF Editor of CQ Magazine and also the "VHF Amateur", Bob Brown, K2ZSQ.

You can't imagine how many times I've started to write you re: "Cheese Bits", but you what deadline are...and they have to be met. Just never seem to have the time to do all that has to be done.

First off, I'd like to compliment you and the staff at "Cheese Bits" for a really excellent job! We look forward

to every issue anxiously to read all about the Mt. Airy V.H.F. Radio Club's activities and members contributions to the paper. It is one of the few publications that we read in its entirety. As you might suspect, we get well over 40 magazines, papers, club bulletins, etc., every month and have quite a bit to mull over, but "Cheese Bits" is the one we read first, mainly because its the best we've seen yet. I honestly don't see how you get so much news and articles each month! (If there's some secret formula to it, Please pass it along - I need it - I'll keep it in strictest confidence!)

Doing the CQ column is really a lot of fun - keeps me well informed on v.h.f. activities the world over. Time is getting to be a real scarce commodity, though. Our Century Club Award applications come streaming in each day, along with letters upon letters for publication along with TVI info requests, and the really big one coming up, logs for the February 1961 CQ World Wide V.H.F. Contest. The letters, as such, though, seemed to have slacked off this month. Letters, the essential backing of work like this, arrive very sporadically... Sometimes we get bundles, other times (like the last four weeks) they come in one at a time, once a week. But in every case, the deadline must be met. All in a day's work - hi!

Our other endeavor, THE VHF AMATEUR is working out very well. As you might remember, we started as you are doing - a club bulletin. ("QSO"). But more recently its come along to the point where we're able to fill 24 pages (28 next month) and get 2,000 copies out every month to readers. We are printing by the photo offset method, which means that every page is typewritten (on a VariTyper), heading inserted by pasting to the page, photographed just as at a camera store, and put on a sheet to be run through the presses. After that 12,000 individual sheets have to be collated, stapled, addressed and stamped, by hand, and finally mailed to subscribers. We hope that someday we'll be able to afford to have the entire job done by some outside publishing concern. Once a month, the whole house is in an uproar, with everyone pitching in to get the mess out in the mails before company drops in - hi!

Well, enough of my troubles. Would like to mention to your many readers that we'll be looking for them on 6 and 2 meters here from Rahway at the low end. Antenna for 6 is an 11 element Telrex, while on 2 we're working on a quad. Power is 100 watts. Also if your editorial department permits, we'd like to "steal" an article or two from "Cheese Bits" for reprinting in THE VHF AMATEUR. Many we've read are real gems (guess you have some great literary geniuses among the subscribers!) well worth republication (with a credit line, of course, to "Cheese Bits.")

(MAILBAG CONT'D)

One final item before I close - How about a "Guest Editorial?" I'd like to drop a line more often, but for commenting on current issues at hand, more suitable for publication, I hope, than this letter - hi!

Well, back to work. Once again, keep up the excellent work on "Cheese Bits". We really enjoy it.

73
Bob Brown, K2ZSQ

Hi Bob:

Thanks loads for them ther kind words. Flattery will get you every where.

As I told you in my reply, anything that is printed in "Cheese Bits" may be republished in any magazine or club paper.

88,
"Mother Rat"

The following is a letter from A.G. Radio Parts Company.

Dear O.M.:

Enclosed is a copy of the LITTLE GIANT B W KEYER. (See next page for schematic)

It is unique in that it uses but a single tube - the new General Electric Triple Triode type 6E28.

The total cost of the Keyer unit, less the power supply and relay, is \$8.00. This unit may be powered from receiver power supply if desired.

Relay can be conventional type, or Western Electric pressure type.

This letter is your permission to reprint the information in your Club paper or bulletin.

This would make an excellent club project.

All parts are available at all A.G. Radio Parts Co. stores.

"73"
John Llopes
A.G. Radio Parts
Co.

Hi Johnny:

Thanks for your contribution to this issue.

You read in the December issue that W3KXH is starting up his code class again in February and the fellows will need a keyer for their xmitters. Hi.

The reason they will need a keyer is that Jim gets them to send to him also.

88,
"Mother Rat"

CODE CLASS BY W3KXH

In case some of you did not keep the December issue, we will repeat the time schedule of the code class.

CODE PROGRAM

Code sessions will start the first week in February. Code will be sent two nights a week, Tuesday and Thursday. The time, from nine to ten thirty P.M. The frequency will be, 50.3 Mc.

Code will be sent in MCW.

The one and a half hour program will be divided into three parts.

From 9 to 9:25, five words per minute
From 9:25 to 9:30, break time, get your drin and sharpen your pencil.

From 9:30 to 9:55, eight words per minute.

From 9:55 to 10, break time again.

From 10 to 10:30, ten to fifteen words per minute.

This session will continue until the end of June.

Please notify your friends, and remember, it's your chance to get the General Ticket we all want.

The program of speed will be changed from time to time.

By the end of June we might arrange to have the FCC come to our club meeting and give the exam to those who feel they are ready for it.

SNOW CALL! SNOW CALL!

Just in case you are not aware of it, we have had some snow. You may think that I am acting normal - oops, I mean crazy, with that statement. That's true, but the reason for it is to repeat a former announcement in regards to cancellation of meetings because of the snow.

Should there be a snow storm that will cancel the meeting you are to listen in on net frequency at 7 P.M., 6 & 2.

We would like to apologize to K3CXD, Bill, for omitting the following in last month's issue.

The WENS Radio Club issues a very fine certificate for working only ten of their members. To receive your certificate, all you do is send your confirmation to; W3GFK, Wm. Whartenby, 1860 Cornwell Street, Philadelphia, Pa.

and you will receive your certificate in the mail shortly.

Lenora, the Harmonic of Lenny, W3HYD, has received her General Ticket. Her call is K3KNG. She's only 13.

After the contest, who tried to swipe K3EMR's 2 meter converter? Poor Gus, he sure was one sad ham. It turned out OK though, just a misunderstanding.

POST OFFICE (CONT'D)

to ARS VE3BST, G.W. KING
982 FISHER AVENUE,
OTTAWA, QUEBEC, CANADA

Irv, K3EIF, mailed the card on Jan. 6, and it arrived in Ottawa Jan. 11th, where it was marked "Moved". The card was returned to Phila. The card is pretty shop worn from all of its travels.

The only reason I can figure out that it was sent to Frankie is that quite a bit of mail regarding radio is sent from this QTH, and our address must stand out in the Main Post Office. Perhaps you have notice the similarity of addresses, G.W. King, 982 Fisher Ave., and ours, 829 W. Fishers Ave., but one is in Canada and ours is in Phila.

Knowing that K3EIF was anxious for a QSL card from Canada, I looked up the QTH of VE3BST in our old call book and it contained the same address that he had. Sooo--I put my thinking cap on and called Brother Rat, Ham Buerger. With his and Ed's help we got the new address in Canada. So I placed the QSL and the new address in an envelope and mailed it to K3EIF.

Hope everything turns out OK.

By the way, should any of you work that VE3, here is the new QTH.
VE3BST, G.W. King
1152 Tara Drive,
Copeland Park,
Ottawa, Ontario,
Canada.

2 METERS

By W3SAO

On the evening of Jan. 17, 1961, as I sat cleaning my 2 meter antenna relay, plus putting in a new 5894 in the final and squeezing a few more DB signal output, I overheard K2BNK, W2NKB and W2UM talking. They mentioned a naughty word, "Pack Rats". I overheard their sly remarks and that they would look for W3IBH. So, this kid gave K2BNK a shout and asked him if I would do instead of "Liver Lips". He said, "Go ahead." That started it off, one poor little slim rat against three guys from N.N.J. I looked around for help and spotted W3CL and W2AXU at 144.3 in a private QSO. I VFO'd on them and asked for help from more Pack Rats. They came down on my freq. and joined the gang. From then on, we had W2IZA, W3FSC, W1RJA, W3HYO and W2EIF on the "Rats" net. (Later renamed the "Idiot Net") This net will be handled by W3IBH, any night that it convenes. (This is our counterpart of the 6 meter Nitwit Net.)

All you 2 meter boys who have been complaining about no activity on this band, should turn on your rigs.

How about that! 11 stations on 2 for about 3 hours of solid QSO's and no QRM.

A repeat performance was held on Jan. 19th, with W3IBH, W3SAO, W2NKB, K2BNK, W3CL, W3VGN, W3FSC, K2ATA, W3LHF, W2EIF and W3KME.

How about joining in some night after 7:00 P.M.

As you can see, 2 meters is not a dead band.

"SWAP SHOPPE"

Conducted by
W3ZRR, Raymond Whitehead

- FOR SALE: Transmitter Receiver
144 Mc, 15W Superhet Rec'v.
Built in Power Supply and
Speaker. \$70.00
- Mobile Transmitter, Receiver
50 Mc. 15W Superhet Rec'v.
Transistor Power Supply.
Push to talk and Voice
break-in. Built in 5x6x9
cabinet. \$75.00
- Grd Grid Amp- 4 847 Tubes
Coil for 40 meters, may be
tapped for other bands.
Built-in Silicon Rectifier
Power Supply. May be used
AM CW SSB. Any ten watt
driver. 4 spare 837's.
\$45.00

CONTACT: W3NSI, Lynford Rowland
1822 Dallas Street,
Phila., 26, Pa.
Ha. 4-0875

FOR SALE: HQ-140 X receiver. 500 kcs
31 mcs. General Coverage.
Complete with "S" meter and
matching speaker. \$165.00

Johnson Viking Ranger Trans.
excellent condition. Factory
wired and tested - complete
with JT-30 mike, and stand.
Must be seen. \$195.00

B & W 5100-S. 150W CW, 135
w phone, built-in VFO, push
to talk. Excellent condi-
tion. \$265.00

B. & W 51-SB sideband gener-
ator - less than 1 year old.
Has built in AC power supply
VOX operation. \$179.00

BOTH B & W 5100-S and 51-SB
completely wired, ready to
go on AM, CW, SSB. Dow Key
antenna change-over coaxial
relay, 1 kw capacity in-
cluded. The works, \$439.00

Monitoradio Police & Fire
FM receiver- 6 mos. old.
30-50 mcs FM tunable, com-
plete with squelch. \$45.00

50 watt, xtal controlled,
40 meter CW rig, (807 final)
Built-in 110 VAC supply-
perfect working order \$15.00
6-40 meter xtals included.

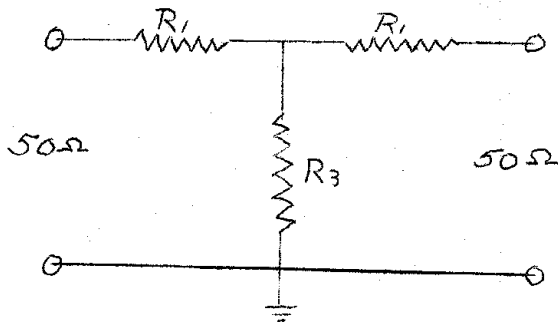
FUJIYA (Japanese) Tape re-
corder, 3 3/4 IPM speed. Mini-
ature size - fast stop con-

IDENTIFICATION CHART
FOR CONVERTING MILITARY RADIO TUBE TYPES
TO COMMERCIAL STANDARD TUBE TYPES

VT#.	COMML.#	VT#.	COMML.#	VT#.	COMML.#	VT#.	COMML.#
VT-1	WE-203A (obsolete)	VT-62	801-801A	VT-116A	6SJ7GT	VT-175	1613
VT-2	WE-205B	VT-63	46	VT-116B	6SJ7Y	VT-176	6AB7/1853
VT-3	Obsolete	VT-64	800	VT-117	6SK7	VT-177	1LH4
VT-4A	Obsolete	VT-65	605	VT-117A	6SK7GT	VT-178	1LC6
VT-4B	211	VT-65A	605G	VT-118	832	VT-179	1LN5*
VT-4C	JAN-211	VT-66	6F6	VT-119	2X2/879	VT-180	3LF4
VT-5	WE-215A	VT-66A	6F6G	VT-120	954	VT-181	7Z4
VT-6	212A (obsolete)	VT-67	30 special	VT-121	955	VT-182	3B7/1291
VT-7	WX-12 (obsolete)	VT-68	6B7	VT-122	530	VT-183	1R4/1294
VT-8	UV-204 (obsolete)	VT-69	6D6	VT-123	RCA A5586	VT-184	VR90-30
VT-10	Obsolete	VT-70	6F7	Superseded by VT-128		VT-185	3D6/1299
VT-11	Obsolete	VT-72	842	VT-124	1A5GT	VT-186	Special
VT-12	Obsolete	VT-73	843	VT-125	1C5GT	VT-187	575A
VT-13	Obsolete	VT-74	5Z4	VT-126	6X5	VT-188	7E6
VT-14	Obsolete	VT-75	75	VT-126A	6X5G	VT-189	7F7
VT-16	Obsolete	VT-76	76	VT-126B	6X5GT	VT-190	7H7
VT-17	860	VT-77	77	VT-127	Special	VT-191	316A
VT-18	Obsolete	VT-78	78	VT-127A	Special	VT-192	7A4
VT-19	861	VT-80	80	VT-128	1630	VT-193	7C7
VT-20	Obsolete	VT-83	83	(A-5588)		VT-194	7J7
VT-21	Obsolete	VT-84	84/6Z4	VT-129	304TL	VT-195	1005
VT-22	204A	VT-86	6K7	VT-130	250TL	VT-196	6W5G
VT-23	Obsolete	VT-86A	6K7G	VT-131	12SK7	VT-197A	5Y3GT/G
VT-24	864	VT-86B	6K7GT	VT-132	12K8 Spec	VT-198	6G6G
VT-25	10	VT-87	6L7	VT-133	12SR7	VT-188	6SS7
VT-25A	10 (special)	VT-87A	6L7G	VT-134	12A6	VT-200	VR-105-30
VT-26	22	VT-88	6R7	VT-135	12J5GT	VT-201	25L6
VT-27	30	VT-88A	6R7G	VT-135A	12J5	VT-201C	25L6GT
VT-28	24&24A	VT-88B	6R7GT	VT-136	1625	VT-202	9002
VT-29	27	VT-89	89	VT-137	1626	VT-203	9003
VT-30	01-A	VT-90	6H6	VT-138	1629	VT-204	HK24G
VT-31	31	VT-90A	6H6GT	VT-139	VR150-30*	VT-205	6ST7
VT-32	Obsolete	VT-91	6J7	VT-140	1628	VT-206A	5V4G
VT-33	33	VT-91A	6J7GT	VT-141	531	VT-207	12AH7GT
VT-34	207	VT-92	6Q7*	VT-142	WE-390Y1	VT-208	7B8
VT-35	35/51	VT-92A	6Q7G	VT-143	805	VT-209	12SG7
VT-36	36	VT-93	6B8	VT-144	813	VT-210	184
VT-37	37	VT-93A	6B8G	VT-145	5Z3	VT-211	6BG7
VT-38	38	VT-94	6J5	VT-146	IN5GT	VT-212	958
VT-39	869	VT-94A	6J5G	VT-147	1A7GT	VT-213A	6L5G
VT-39A	869A	VT-94B	6J5 Spec	VT-149	ID8GT	VT-214	12H6
VT-40	40	selection		VT-149	3A8GT	VT-215	6E5
VT-41	851	VT-94C	6J5 Spec	VT-150	6SA7	VT-216	816
VT-42	872 Spec	selection		VT-150A	6SA7GT	VT-217	811
VT-42A	872A (special Fil.)	VT-94D	6J5GT	VT-151	6A8G	VT-218	100TH
VT-43	845	VT-95	2A3	VT-151B	6A8GT	VT-219	Canceled
VT-44	32	VT-96	6N7	VT-152	6K6GT	VT-221	250TH
VT-45	45	VT-96B	6N7 Spec	VT-152A	6K6G	VT-222	3Q5GT
VT-46	866	-selection		VT-153	12C8 Spec	VT-223	884
VT-46A	866A	VT-97	5W4	VT-154	814	VT-224	1H5GT
VT-47	47	VT-98	6U5/6G5	VT-155	Special	VT-225	RK34
VT-48	41	VT-99	6F8G	VT-156	Special	VT-226	307A
VT-49	59/44	VT-100	807	VT-157	Special	VT-227	2EP1/-1806P1
VT-50	50	Modified		VT-158	Special	VT-228	7184
VT-51	841	VT-101	837	VT-159	Special	VT-229	8012
VT-52	45 (special)	VT-102	canceled	VT-160	Special	VT-230	6SL7GT
VT-53	Canceled (superceded by VT-42A)	VT-103	6SQ7	VT-161	12SA7	VT-231	350A
VT-54	34	VT-104	12SQ7	VT-162	12SJ7	VT-232	6SN7GT
VT-55	865	VT-105	6SC7	VT-163	6C8G	VT-233	E-1148
VT-56	56	VT-106	803	VT-164	1619	VT-234	6SR7
VT-57	57	VT-107	6V6	VT-165	1624	VT-235	HY-1148
VT-58	58	VT-107A	6V6GT	VT-166	371A	VT-236	HY-615
VT-60	850	VT-107B	6V6G	VT-167	6K8	VT-237	836
		VT-108	450TH	VT-168A	6Y6G	VT-238	957
		VT-109	205I	VT-167A	6K8G	VT-239	956
		VT-111	5BP4/180P4	VT-169	12C8	VT-240	1LE3
		VT-112	6AC7/1852	VT-170	1E5-GP	VT-241	710A
		VT-114	5T4	VT-171	1R5	VT-243	7E5/1201
		VT-115	6L6	VT-171A	Loctal Equ	VT-244	7C4/1203A
		VT-115A	6L6G	ivalent of 1R5		VT-245	5U4G
		VT-116	6SJ7	VT-172	1S5	VT-246	205D
				VT-173	1T4		918

Symmetrical "T" Attenuator Values. $Z = 50$ ohms

Attenuation In Decibels	Series Arm R_1 In Ohms	Shunt Arm R_3 In Ohms
0.1	0.287	4342.85
0.2	0.575	2171.3
0.3	0.863	1447.35
0.4	1.15	1085.0
0.5	1.438	868.1
0.6	1.73	723.0
0.7	2.013	619.75
0.8	2.3	542.0
0.9	2.588	481.685
1.0	2.88	433.0
2.0	5.73	215.2
3.0	8.55	141.9
4.0	11.31	104.8
5.0	14.01	82.2
6.0	16.61	66.9
7.0	19.12	55.8
8.0	21.53	47.31
9.0	23.81	40.59
10.0	25.97	35.14
12.0	29.92	26.81
14.0	33.37	20.78
16.0	36.32	16.26
18.0	38.82	12.79
20.0	40.91	10.1
22.0	42.64	7.994
24.0	44.07	6.335
26.0	45.23	5.024
28.0	46.18	3.987
30.0	46.93	3.165
35.0	48.25	1.779
40.0	49.01	1.0
50.0	49.68	0.316
60.0	49.9	0.1
70.0	49.968	0.031
80.0	49.99	0.01
100.0	50.0	0.001



Let's see, where were we? Oh yes,
"SWAP and SHOPPE" (Cont'd)

trol and rewind. Unit comes complete with mike and built-in speaker. Perfect condition - less than 1 year old. \$49.00
5 inch reel of recording tape included.

ZENITH Trans-oceanic Short Wave Receiver. Covers standard broadcast band. Marine & Weather, Amateur, Foreign broadcast channels. 7 band positions. Complete with large built-in battery 110 V AC and battery operation (chargeable) \$65.00

MASCO Intercom (master unit and 1 remote unit). Volume control - perfect working order. \$8.00

BC-611 75 meter walkie-talkie, 1 watt output. Range 3-5 miles average xtal 3885 kcs. Complete with batteries and built-in antenna (telescoping). Perfect condition \$35.00

Electro-Voice 30 watt outdoor Horn Speaker. Completely weather proof. 60 watt peak. \$18.00
Brand new - 3 months old, never used.

CONTACT: W3DJW, John Mahoney
6904 City Line Avenue
Phila., Pa.
TR. 7-1008

Please send all "Swap and Shoppe" articles to; W3ZRR, Raymond Whitehead, 4534 N. Smedley Street, Phila., 40, Pa.

Did you know that Doc, W3IHT, is expecting to be a Grandpop in September?

In regards to the two meter "Idiot" net. If you are wondering why you have not heard Charlie, W3IBH, on; the answer is he has larengitise. (Spelled right, yes-no?)

Speaking of the Idiot Net, did you know that Doc, W3IHT, was the party that named the 6 meter scramble, after the regular net the "Nitwit Net"?

V.H.F. SWEEPSTAKES

Sooo--the contest is over and the score sheets have been sent into the ARRL.

The answer as to who the winner is, is now in their hands.

Was your score sheet among those sent in? If not, why not?

We can say, that with the exception of a few, all score sheets were turned in promptly. Our thanks to you. To the few who did not turn them in promptly, all I have to say is "Shame", you had two weeks in which to get them in.

Just found out where the "Valley QRM" found out about "Cheese Bits". The Editor is W3ZQU, the brother of that no good, oh excuse me, I mean friend of ours W3CUK, the Editor of "The Mahanoy Valley Brass Pounders Key".

To our list of exchange papers we have added "THE CALL LETTER", a publication of the Delaware Lehigh Amateur Radio Club. The editor is; W3NYQ, G. Myers, 1028 Elm Street, Bethlehem, Pa.

CONGRATULATIONS

TO the new officers of SJRA. Also to George Ryan, K2DEI for winning the outstanding ham of theyear award. Thanks, George, for mentioning my sons K3HWZ and K3IBO in your acceptance letter.

Remember that silly little snow saying that I used to use as a fill-in; Snow, snow beautiful snow, Slip on a piece and away you go.

Unfortunately Herm, K3GOZ, found this to be true. After the snow storm last Friday, Jan. 20th, he went out back and cleared his driveway. While walking along the side of the house he slipped on a patch of ice that was hidden by the new snow. He fell and fractured his left arm. It is what we used to call a green stick break. The police took him the Nazareth Hospital where they operated and placed four pins in the bones of the lower arm. His arm is in a cast from the finger-tips to the shoulder.

Poor Herm, first he has trouble with his rig in the contest; second, the very first day he took his brand new car out, another jumped the medial strip on the expressway and smashed it up and third, this.

Well, Herm, it looks as though your troubles are over for awhile. As you know they say that trouble always comes in threes.

We know you have to take it easy, so here's hoping that everything heals up just fine.

MEETING DATES

FEBRUARY 8th. The BOARD OF DIRECTORS' MEETING will be held at the QTH of W3ZRR, Ray, 4534 N. Smedley Street, at 8:00 P.M.

FEBRUARY 15th The REGULAR MEETING will be held at 8:00 P.M. at the West Oak Lane Jewish Community Center, Sedgwick & Thouron Streets.

The speaker will be W3CD, Tom Bennan, a blind ham. Come out and hear him.

"PACK RATS CHEESE BITS"
829 W. FISHERS AVE.
PHILA. 41, PA.

FORN Ernest Kende
2823 Old Welsh Rd.
Willow Grove, Pa.

TIME VALUE
MEETING NOTICE