

PACK RATS CHEESE BITS

VOL. I

MT. AIRY V.H.F. RADIO CLUB, INC., PHILADELPHIA PA. NUMBER 11
(114.2, 50.2 MGS. and 220)
FEBRUARY, 1959

PROPOSED AMENDMENTS TO THE BY-LAWS

PARAGRAPH III

REINSTATEMENT

An application for reinstatement to membership in this club shall be passed upon by the members in the same manner as for new members. However no sponsor or entrance fee shall be required.

BE IT PROPOSED that the above paragraph be amended to read as follows;

An application for reinstatement to membership in this club shall be made on the same form and in the same manner as for a new member, however no entrance fee shall be required.

Unless a member has been removed from the rolls at his own request, and is in good standing at that time, six (6) months dues, in advance, shall be tendered with the application for reinstatement.

PARAGRAPH IV

FORFEITURE OF MEMBERSHIP

The Secretary shall submit to the membership the names of members who have been absent without written notice for three (3) consecutive regular or special meetings of the club, or who refuses or neglects to pay the regular dues for a period of two (2) months or more. A majority of the members present shall decide if the delinquent member shall be retained on the roster.

Any member may be expelled for cause by a vote of 51% of the members.

BE IT PROPOSED that the above paragraph be amended to read as follows;

The Corresponding Secretary shall notify, in writing, those members who are four (4) months delinquent in dues or attendance. If the member replies to this letter, his name and letter will be submitted to the Board of Directors at the following meeting. The Board of Directors will decide, by a majority vote, whether the member will be retained on the rolls.

If no answer is received from the member, he will be automatically dropped from the rolls when six (6) months delinquent in dues or attendance.

The above is your written notice of the proposed amendments to the By-Laws read by the Recording Secretary at the January meeting and to be voted upon at the February meeting.

SPECIAL ANNOUNCEMENT

CANCELLATION OF MEETINGS DUE TO INCLEMENT WEATHER

The winter of 1958 and 1959 is now upon us. Already we have had winds strong

enough to knock down antennas. Remember the storm that began on the night of the February meeting, and the one in March which canceled the meeting? You are hereby being notified of what to do in case it should be necessary to cancel a meeting due to a storm or other reason.

Should it be necessary to cancel a meeting due to a storm you are to LISTEN ON NET FREQUENCIES on the meeting night, from 7:00 to 8:00 P.M. W3SAO, Frankie, will handle 2 meters, and W3KKN, Ernie, will handle 6 meters. (if they are able to arrive home from work in time, or they have been home due to the weather.)

Should you be unfortunate enough to lose your antenna, due to the storm, LISTEN or have your XYL listen to station WFIL both RADIO and TELEVISION for announcement of cancellation.

I know that in the March storm many were without electricity, and that left out all radio and television, but fortunately the "landlines" were open. Should this occur again, call me and I will let you know if the meeting has been canceled or not.

Whether or not the meeting has been canceled, should you not be able to get to the meeting, due to conditions, you will automatically be excused, because conditions in the City may be better than in the Suburbs. Please do not use this just as an excuse for not attending the meeting. If it is possible, call or have your XYL call before 7:00 P.M. and let Frankie know. You should all have our phone number, but just in case, here it is; Da. 4-7524.



RDZ NAVY 200 to 400 MC. receiver. Very good condition. \$50.00

200 WATT RF TRANSMITTER with power supply Plug in coils for 6 meters. \$125.00

New Phone Patch \$11.45

6 METER LOAD WHIP with coax connector for Gonset. \$2.00

ARB receiver, 195 KC to 9.05 MC converted to 6 volts, with power supply. \$30.00

For more information on the above items, contact W3IXL, Ellis Hersh,
8435 Cedarbrook Ave.
Phila., 18, Pa.
Ch. 7-7325

CD BULLETIN

ARRL HEADQUARTERS WEST HARTFORD, CONN.

VHF DOCKET FINALIZED

CW SEGMENTS 50.9-51.0 147.9-148.0 MC

To further amateur means for contributing to the knowledge of long-distance propagation and promote v.h.f. DX and IGY studies, ARRL moved after Board study, to ask FCC for 100 kc v.h.f.-c.w. segments

at the low ends of the 2- and 6- meter bands. See August '58 QST (pages 45-55) for the text of ARRL's request and the Federal Communication Commission's proposed rule making, Docket 12485, to accomplish this. But we fear that the amateur group that had invested time and effort in multi-element beams, all tuned to the band edges and ready to use the extra db and gain of beams and c.w. emission as exceptional conditions arrive, will have to defer this attack on the problem while they revamp plans and approach. Unfortunately the regulations forthcoming while granting the 100 kc segments, ignore the League suggested locations and place them far afield from the readied equipment!

This docket was acted on by the FCC during the first week of December. The FCC action and order granted 100 kc exclusively c.w. segments, amending secs. 12.111 (h) and (i) as required, but specified their location as

50.9 through 51.0 MC
147.9 through 148.0 MC

These above are the sub-bands restricted to c.w. operation effective Jan. 10, 1959 FCC listed several pages of "arguments" for-and-against and says that it evaluated them and considered other information available to it, in not following through on it's specific proposal, but taking a different action. FCC apparently considers local use and casual occupancy more important than progress, not taking into much account the flexible nature of most gear for local work facilitating changes in band occupancy, such as occasioned by FCC Orders in the past. The possible bugaboo of more TV interference from greater occupancy of the h.f. end of the 50-Mc. band is also mentioned by FCC. Where does this leave us?

WITH PRECAUTIONS TO BE OBSERVED: Operationally we must all be very careful after Jan. 10th not to let our Gonset Communicator or other v.h.f. rig, normally using A-3, be adjusted to operate on voice in the 2-and 6- meter band segments above tabulated. Allowances must be made for the degree of precision of calibration, in connection with our particular equipment -- crystals, v.f.o. or what not. To the 100 kc. we must add band width to allow for any drift, imprecision in crystal markings, etc., so as not to be open to citation. But our sympathy goes to the gang with 64 - and 128 - element beams to be rebuilt to new spots!

(Editor's note to the above report)

May I as an outsider, say that the FCC has a very good point in the allotment. Most of the Hams us the very low edge of the band for local communications, which leaves a large part open, with nobody using the frequency above. It is

there is an error in No. 9, last page. It is not illegal to work crossband below 51 Mc, but only crossband-duplex.

OFFICIAL BULLETIN NR 684 FROM ARRL HDQS. WEST HARTFORD, CONN. DECEMBER 29, 1958

TO ALL RADIO AMATEURS BT.

FCC has proposed expansion of RACES frequencies for civil defense. Under certain conditions, detailed in February QST, the proposal would authorize RACES use of 3510 to 3550, 3984 to 3990, 7103 to 7125 kc and additional channels based on the ARRL national calling and emergency frequencies of 7100, 7250, 14050, 14225 and 21050 kc. Also proposed is a new military liaison frequency of 53.30 Mc. The final comment date is February 27th.

AR

OFFICIAL BULLETIN NR 685 FROM ARRL HDQS. WEST HARTFORD CONN. JANUARY 5, 1959

TO ALL RADIO AMATEURS BT.

Alaska became a state effective with the presidential proclamation January 3, 1959. Provisions in connection with the Leagues Worked All States Award were announced on page 78 of last September (1958) QST. Until next July 4, ARRL will continue to process all WAS applications where the 48 contacts were completed by January 3. After July 4 only applications supported by proof of contact with 49 states including Alaska will be acceptable. Starting January 3 Worked All States certifications based on 49 states will be issued provided Alaskan card confirms a two way contact completed after the date and time of the statehood proclamation.

AR.

EDITORIAL:

Perhaps some of you are wondering why I spent the time coping the Rules for the V.H.F. S S from QST. The answer is simple. Some of our members are not members of the ARRL, and some of them are in the contest for the first time. Some of them, also do not read the rules in QST, and in this manner they are brought home a second time.

CORRECTION RECEIVED IN THE MAIL

QST---AMERICAN RADIO RELAY LEAGUE
38 LaSalle Road
West Hartford 7, Conn., U. S. A.

Dec. 19, 1958

W3SAO
Dear Frankie:

Always enjoy "Cheese Bits" -- but

73 to all, and keep up the good work.

Ed, W1HDQ
V.H.F. Editor, QST

P.S. - Good luck in the V.H.F. SS!

From the Editor to Ed, W1HDQ;

Thanks, Ed. We received the information over the air, and it was either given to us wrong, or we copied it wrong. Anyway thanks for the correction. One thing is for sure, it proves that you read the "Cheese Bits" and are kept up to date on what the "Pack Rats" are doing. I hope that you and your Club made a good showing in the V.H.F. S S. Has Frankie ever made contact with you on 2 or 6? I don't remember hearing you at the QTH. Next time you are in the vicinity stop in, I would like to meet you. Give us a call, you have the phone number on the membership list. Just remember to write it down before you get here, as it is a private number and the phone company will not give it to you. Thanks again for your card.

Yours,
Helen, XYL W3SAO

A TIP OF THE HAT AND A THANK YOU
TO W3KKN AND W3TNP, ERNIE & BERT

I know that I speak for ourselves and the other Directors and XYL's for the gettogether and party that you gave for us on December 27th. It was a great opportunity to get acquainted and let our hair down. Thanks again.

Helen

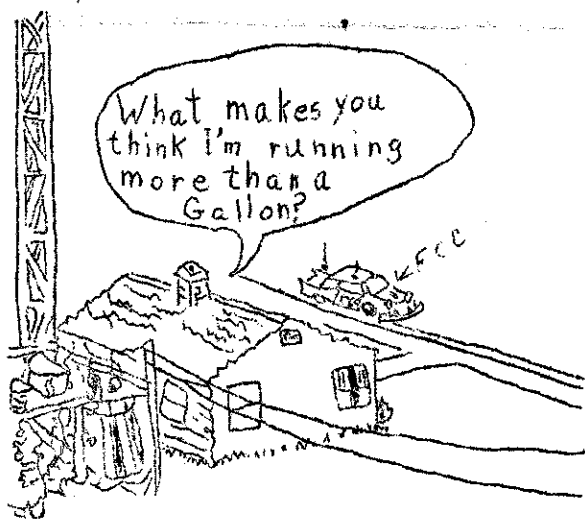
The last two pages of this issue are the latest lists of members. You will notice that we now have 49 members. It may be pointed out that this club started in May of 1956 with just 10 V.H.F. men who were not satisfied with the running of other clubs that they were members of. This is an achievement to be proud of. We have lost a few due to their working at night, and not being able to attend the meetings or get on the nets; and some, due to housing conditions for antennas, but we have also regained some of them through reinstatement. In the time of club existence we have lost only one member through death. There is also a waiting list of Hams under 21 just to join our

group. I know that a number of our new members and our swap Club Paper Clubs are wondering how we got the name of Mt. Airy and the nickname "Pack Rats". Well here is the explanation;

1.- The original meeting for forming the Club was held at the home of W3FSC, Oscar Jacoby, who lives in Mt. Airy. The first meeting hall that they had was the Chelton Hills Recreation Center in Mt. Airy, and the present meeting hall is the West Oak Lane Jewish Community Center in Mt. Airy. Therefore the name "Mt. Airy V.H.F. Radio Club".

2.- The nickname "Pack Rats" came from the fact that the original 10 members swapped parts for their rigs. The same as a "Pack Rat" leaves something for what it takes. It may be pointed out that after three years they still help each other out for rig parts or antenna raising. Still swapping part for part.

You might also notice that on the last page there is plenty of room left for you to add any new members. May I suggest that you destroy the other membership list that you have, as this one contains the changes in addresses and new phone exchanges made by the phone company.



The above drawing is borrowed from the ARRL CD Bulletin for January, as is the following comment.

"Net operators and DX artists especially take note!

"If you'll wait just a little longer, it will soon be too cold to put up the new antenna that you didn't put up during last summer because it was too hot."---
W3AHX.

Comment; How true, how true.

PAST EVENTS

JANUARY MEETING

At our meeting held on January 21st we

were very pleased and happy to hear W3AJS, Ed Keener, explain the intricacies of "Ham Radio in the Early Days"

We are sorry that we were short one crying towel for the V.H.F. SS rehash, but we noticed that most of the complaints were about "Mother Nature" using her prerogative and changing her mind about opening the band. Boy, you really had to dig for sections. Which reminds me, does the committee have YOUR score?

The secretary read the proposed amendments to the By-Laws to be voted upon at the February meeting, your copy is on page 1.

Welcome to the new members voted in. You will find their call and other information on the latest membership list. Their handles are Bob, John and Charlie.

We would like to thank W2BAY, Ed Braddock for his demonstration of the Tapetone Receiver.

We missed our recording secretary, K3CIV Ralph, who was in Kansas visiting his daughter and new grandson, and also resting up from a little bug that bit him - a virus.

COMING EVENTS

FEBRUARY MEETING

The meeting for February will be held on Wednesday evening, the 18th at 8:00 P.M. at the West Oak Lane Jewish Community Center, Sedgwick and Thouron Avenues.

Our Speaker for the evening will be one of our own members, W3HYJ, Joe Slotnick. His topic will be "6 Meter Convertors". A discussion period will follow his talk.

Announcement of the total club score for the January V.H.F. SS will be made.

We hope that by the time of this meeting we will have a definite date for "LADIES NITE" in April, along with the cost.

We would also like to have some members volunteer their services on the picnic committee for registration, handling games and distribution of prizes. Should you desire to help, and your XYL, please give your name to W3SAO, Frankie, and he will let you know when and where the Picnic Committee meeting will be held.

Apologies from the Editor: Sorry that there are no "RAT SQUEALS" in this issue, but as you can see, there was quite a bit of other information, plus the new membership list, to fill up all required space. I have received some good ones, but they will have to wait until next month. Beg humble pardon,
Helen.

Extra Special C.2.-ARRL

OFFICIAL BULLETIN NR 686 FROM ARRL HDQS.
WEST HARTFORD CONN. JANUARY 12, 1959

TO ALL RADIO AMATEURS BT

Effective date of the FCC order creating cw only bands of 100kc each at 50 and 144 Mc has been delayed at ARRL request until further order pending the leagues or other possible filing of petitions for rehearing by March tenth. League request was based on fact that FCC order had assigned bands which may not accomplish objectives sought for propagation studies. This action means license privileges in the bands remain unchanged until further notice.

AR
ARRL OES: Please pass this info to the v.h.f. gang. -- FEH

Well boys, ther's a breather for you until a new decision is made.

THE PRIVILEGE OF BEING A HAM

You studied the code and theory of Radio in your spare time. At times you thought it was a waste of time, but while studying you hear people from different parts of the world talking to each other either cw or phone. Some of their conversations make no sense to you, especially some of the terms they use. This gives you the incentive to study harder so that you can join them and use some of those funny-sounding terms, like b c n u, QSY, QRM, QSB and others, for suddenly they make sense to you. After months of study you get your ticket and now you are a HAM. Do you realize that you are now also a public servant, relaying messages either happy or sad? Common courtesey demands that when you make a contact for the first time, even though you know his handle from hearing him many times, you do not use it until he gives it to you. In time of an emergency you must stand by and be ready to relay any message broadcast to your locality, if no one else is available to relay it. If you are mobile equipped it is your duty to report an accident so as to get aid as quickly as possible, unless the police are there and tell you to move on.

Ham Radio is the only hobby that is licensed by the Federal Government at no cost to you, and you are protected by the FCC the same as a commercial broadcasting station.

Have fun on the local frequencies, but remember that Ham Radio is also a serious business for which you contracted when you got your license. Don't abuse your privilege, because Hams are a proud people, and many times the life line of a community.

Frankie told me that W3HKZ was sending some information for this edition, so I saved this half of the stencil for it. It came today -- 2 completely filled stencils. I am sure Ed will understand that since this issue already has eight pages why I am saving them for the March issue. Thanks Ed, they are two stencils that I will not have to cut. In the last issue we promised to continue the information sent in by Ed, so here it is.

A local ham has been kidded about calling "CQ mountain time states". But it did work-he got Arizona and Utah.

Do you know what a KRYPTON is? Well, it is a new and very interesting cold-cathode trigger tube. Capable of replacing relays and thyratrons, this little wonder can control up to 500 amperes with as little as 20 microamperes of signal current. Various types are available and can be used in many amateur radio control applications. Those interested may obtain bulletin E-287 from CBS-HYTRON, Danvers, Mass.

E. F. Johnson Company has come out with a new transmitter that goes up to 6 meters. It is the Viking "Challenger" and it costs \$114.75 and runs 80 watts.

The Heath Company has a new 6 and 2 meter transmitter which sells for \$159.95 and runs at 120 watts input.

K3ADH is now interested in six meters after hearing all the activity on the band on November 22nd.

Lookout for K2TYW, he will be burning up the ozone on weekday evenings now that he is on day work. Too bad that he will miss those daily morning openings.

If interested I can arrange (the I stands for Ed, not me.) a tour for the club at WCAU for some future meeting date. Also can bring some tubes to show at a meeting including a \$1200.00 image orthicon.

ED. Tilton, VHF Editor of QST magazine, who spoke at one of our meetings, spoke on the subject of "VHF Radio Propagation" It was on the Army MARS Technical Broad-network December 17, 1958 on 4030 kc-upper sideband. (left out "cast" in Broadcast, I had to answer the door)

Received notice this morning, via the landline, that W3KKN, Ernie, is leaving for Detroit and will not be home for the meeting. Detroit is "Auto City" and Ernie works for the Budd Manufacturing Company, local auto chassis builder. Don't know how long he will be there, but he will be home on the weekends.

W3ZTL, Myles is still in Pittsburgh. He is an Electronics Technician, and works in the capacity of a trouble shooter for his employer.

Decided to include W3HKZ's stencils. Just remembered that you can send 12 pages for the same amount of postage.

In order to spot DX openings on 6, the following is presented;

53.75mc	TV Sound	Antwerp, Belgium	FM	1.5 kw
		Tielt, Belgium	FM	25 kw
		Bremen, Germany	FM	100 kw
		Grunten, Germany	FM	20 kw
		Saarlous Germany	FM	50 kw
		Eindhoven Holland	FM	2.5 kw
		Barcelona Spain	FM	
		Berne, Switzerland	FM	6 kw
51.75mc	TV Pix	Brighton, England		
		Dover, England		
		Londonerry, England		
		Plymouth, England		
		Manchester, Scotland		
		Rosemarkie, Scotland		
52.4mc	TV Pix	Caen, France		
		Monte Cuccia, Italy		
		Monte Cammarata, Italy		
		Monte Nerene, Italy		
		Pieve di Cadore, Italy		
JUST BELOW SIX METERS;				
49.75mc	TV Pix	Ostravia, Czechoslovakia		5 kw
		Prague, Czechoslovakia		3 kw
		Kalinin, USSR		1 kw
		Moscow, USSR		1 kw
		Odessa, USSR		3 kw
48.25mc	TV Sound	Berlin, Germany	FM	30 kw
47.44mc	FM-YVNEFM	Maracaibo, Venezuela		
45.5mc	FM-HORTZ	Panama City, Panama		25kw
44.1mc	FM-HLKAFM	Seoul, Korea		

NOTES ON 6 to 12 volt MOBILE CONVERSIONS ;

A great many of us have and will face the problem of changing our 6 volt mobile rig to our new 12 volt car. One approach is to try and sell our old gear and build or buy new equipment, this however does not appeal to many of us. As to the transmitter this approach may be of interest (this is what I did), the 6 volt tubes were but in parallel (4 each) the four then were put in series with the final so that the currents were the same through each tube. One watt resistors were put in series with each of the 6 volt relays so that they may operate on 12 volts and still draw the same amount of current, and 12 volt pilot lamps were inserted. The 6 volt dynamotor was replaced by a surplus 14 volt job at a cost of \$3. There are still a lot of 9 and 12 volt dynamotors still available in the surplus market at low prices. Another approach to power is a transistor power supply but at the moment that runs about \$30 to build. Of course you can buy 12 volt equiv for your tube types. Receiving sometimes presents a bigger problem, TNS's and converters need B/ so vibrator kits (\$7.50) are needed with hybrid auto radios. Some new tubes are coming out (12AC5, 12AD6) to enable you to build hybrid converters. It is possible to convert for less than \$5.

MORE SIX METER DX TO LOOK FOR

Japan; JA8AO, JA7JU, JA2GQ, JA1BLZ, JA8BY, JA8EX
 Canada; VE3BQN, VE3AIB, VE2NI, VO2HA
 Alaska; KL7AUV Hawaiian Island; KH6NS Portugal; CT1ST
 Uganda; VQ5VF Maderia Island; CT3AE South Africa; ZS3G
 New Zealand; ZL1DE Switzerland; Hb9RG Mexico; XE1JJ, XE1PFE
 Southern Rhodesia; ZB2JE Brazil; PY3BW New Zealand; ZL2DS
 Argentina; LU9AT, LU9AS, LU5ACA, LU3DCA, LU1FCD, LU9MA
 Tennessee; W4HHK, W4IKK, W4ZZ, K4BSR, K4RHA Kentucky; K4BPY
 Kansas; K0ITF, W0ZJB Nebraska; K0CIA, W0ZJB N. Carolina; W-MOE
 Maine; K1GPJ, W1ZEN, W1CNX Vermont; W1EXZ, K1CUS, W1PRX
 New Hampshire; W1KGG, W1IQD, K1GBI, W1BJ South Carolina; W4TLC
 Rhode Island; W1AJR, K1ADK, W1CJT, K1DFU Arizona; W7QLZ, W7VMP
 West Virginia; K8DFO, K8CKU, W8FNC Colorado; K0CLJ, W0GVI
 Alabama; K4MPM, K4GJJ Georgia; W4GIS, K4KLD, K4MDF

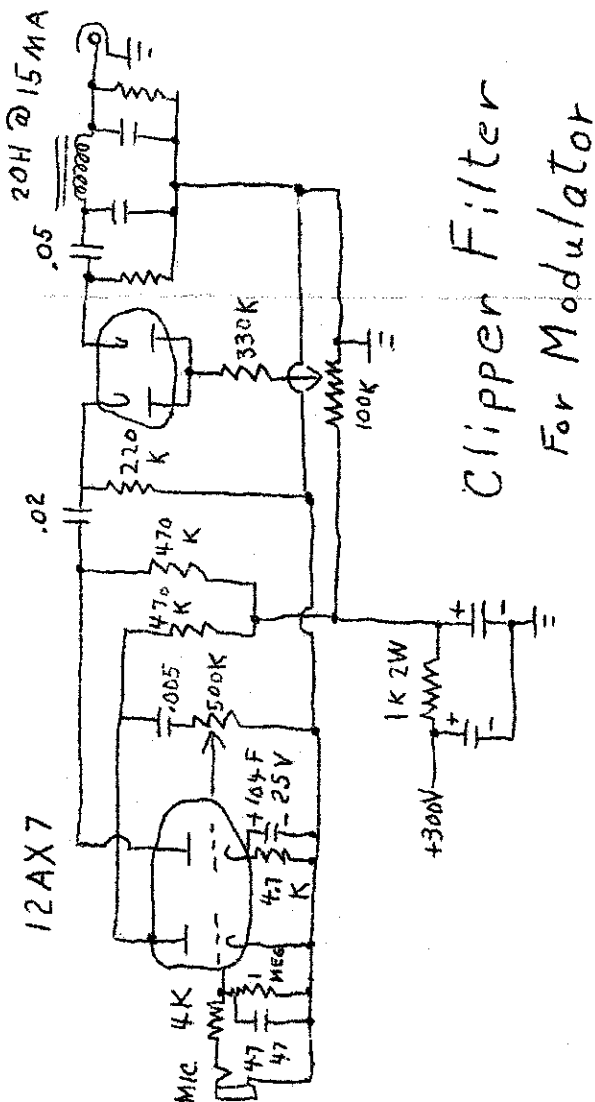
The FCC Actions during the week of January 9, 1959 included the following; "The FCC invited comments by March 31 to proposal to permit Technician class amateur operation in the 144-148 MC band". Also noted was the postponement of the CW portions in the 2 and 6 meter bands. -6-

because very few use the higher frequencies that the FCC has alloted them for cw operation only. I might also point out that 75% of the V.H.F. men have extra crystals, or are VFO and if they want to be clear of TVI they will check their own set. The FCC states that if you are clear of TVI in your own set, you are clear as far as the neighbors are concerned. Any good Ham will check his own TV set for interference regardless of which frequency he uses.

It may also be pointed out that the FCC was considering removing the higher end of the bands (2 and 6) for military use, so be thankful that they regimented them for cw operation only.

TEK - NIC - CUL CORNER

Thanks to W3IXL, Ellis for the following schematic.

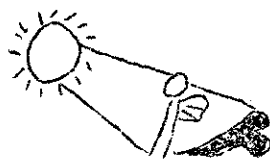


Clipper Filter
For Modulator

In going through the Address-O-Graph plates to see how many addresses I had to type, I noticed that I left out the following club member. Please cut it out and fasten it on the new address list.

W3NKD Victor H. Lees
1403 E. Weaver Street,
Phila., 50, Pa.
Li. 8-3874

Sorry Vic, just an oversight.



Shadows cast by Coming Events

DATES TO MARK DOWN ON YOUR CALANDER

APRIL 4th or 11th

One of these Saturday dates will be reserved for "LADIES NITE" at the Southwark A.C. on the Boulivard at 6:30 P.M. Better start now arranging for someone to feed and watch the Harmonics. If you attended last year, you remember what a grand time we had, and those who will be attending for the first time are in for swell dinner and entertainment. Last year some of the fellows did not attend because they thought they had to have a lady. It is not necessary to bring a lady, so come out and join the fun. As soon as we receive more definite information, as to date and cost, we will let you know so that you can get your reservation in early.

JUNE 19th to 21st

11th ARRL NATIONAL CONVENTION to be held at GALVESTON ISLAND, TEXAS.

Anyone planning an early vacation might be interested in attending. Understand those who attended last year had a grand time, including the XYL's. Sorry we will not be able to attend as the Harmonic will still be in school.

AUGUST 9th

4th ANNUAL PICNIC AND FAMILY DAY, rain date August 16th, to be held at FORT WASHINGTON STATE PARK, FLOURTOWN, PA.

You may think that this is a little early for this announcement, but the Picnic Committee gets together in March to make plans for games, amount of soda needed, write letters for door prizes, etc. The registration fee is still just \$1.00 per family, and you bring your own food. Remember this is a Family Affair, there are no transmitter hunts to take the OM away from his family.

So far we have never had to use our rain date. Let's keep our fingers crossed for good weather this year.

KEEP AN EYE OUT FOR THE APRIL EDITION

That is all I will say until then. You figure out what it is all about.

MEMBERSHIP LIST OF MT. AIRY V.H.F. RADIO CLUB, INC. AS OF JAN. 1959

W3AJF Horace Deacon Jr.
3019 Midvale Avenue,
Phila., 29, Pa.
Vi. 3-1808

W3ASD Karl G. Vincent
R.F.D. #1
Symrna, Delaware,
Symrna 9336

W3AYG John Harris
5924 Tabor Road,
Phila., 20, Pa.
Fi. 2-3781

K3BHK Jerome Tessler
4742 Whitaker Avenue,
Phila., 20, Pa.
Da. 9-2578

W3BQU Howard Buerger
1823 Cheltenham Ave.,
Phila., 26, Pa.
Ca. 4-1740

K3BRJ Newell K. Chamberlin
5810 Greene Street,
Phila., 44, Pa.
Ge 8-4860

K3BVZ Benjamin Chalmers
5128 Sydenham Street,
Phila., 41, Pa.
Gl. 7-1375

K3CHN Seymour Rosen
1608 Tustin Avenue,
Phila., 15, Pa.
Ev. 6-8077

K3CIV Ralph Hersh
1831 Watson Road,
Abington Pa.
Tu. 4-0324

W3CL Harry B. Stein
2087 Parkdale Avenue,
Glenside, Pa.
Tu. 7-5052

W3CLT Arthur Sharpe
8000 Winston Road,
Phila., 18, Pa.
Ch. 7-0879

W3CPT Kenneth Harrison
25 Belmar Road,
Hatboro, Pa.
Cs. 5-8462

W3CXU John W. Allen
1119 Highland Avenue,
Abington, Pa.
Tu. 6-4109

W3DIR John R. Tompkins
2209 Mt. Carmel Avenue,
Glenside, Pa.
Tu. 4-5706

W3DRG Thomas Tomlinson
Witmer Road,
Horsham, Pa.
Mi. 6-5563

K3EOD Allen L. Boblitt
8389 Langdon Street,
Phila., 15, Pa.
Pi. 2-3312

W3FSC Oscar Jacoby
1613 E. Barringer St.,
Phila., 19, Pa.
Wa. 4-8913

W3FOZ Charles Koelsch
2600 Horsham Road,
Hatboro, Pa.
Os. 5-6260

W3FQD Richard Huntzinger
136 Fairhill Drive,
Churchville, Pa.
El. 7-2960

W3FUL Samuel A. Polston
128 W. Pamona Street,
Phila., 44, Pa.

K3GQJ John W. Greenage
507 Myrtle Avenue,
Cheltenham, Pa.
Es. 9-2175

W3GXB Robert G. Fox
7122 Rising Sun Ave.,
Phila., 11, Pa.
Pi. 2-9355

W3HKZ E. Edward Kushner
148 Stoneway Lane,
Bala-Cynwyd, Pa.
Mo. 4-4353

W3HYJ Joseph Slotnick,
340 Rockledge Avenue,
Huntingdon Valley, Pa.
Es. 9-3115

W3HYO Leonard Ciucci
126 Abbotsford Avenue,
Phila., 44, Pa.
Da. 4-7494

W3HWV William Benner
412 Raymond Street,
Phila., 20, Pa.
Gl. 5-5754

W3IBH Charles Clements
6653 Crowson Street,
Phila., 19, Pa.
Vi. 3-8258

W3IHT Robert Stewart
Fitzwatertown Road,
Willow Grove, Pa.
Cl. 9-2080 or 2616

W3ISV Sylvan D. Einhorn
208 Gribble Road,
Wyncote, Pa.
Tu. 7-2015

W3IXL Ellis B. Hersh
8435 Cedarbrook Ave.,
Phila., 18, Pa.
Ch. 7-7325

W3JAY George Nichols
730 Westview Street,
Phila., 19, Pa.
Vi. 4-0730

W3JSD John L. Houser
612 Pinney Road,
Huntingdon Valley, Pa.
Wi. 7-0677

W3KKN Ernest Kenas
2823 Old Welsh Road,
Willow Grove, Pa.
Ol. 9-3485

W3KLL Walter Cleary
37 Nippon Street,
Phila., 19, Pa.
Ch. 7-7397

K2LXI/3 George Gacoumas
28 Tapered Oak Lane,
Levittown, Pa.
Wi. 5-9723

W3MVF David Bloch
6922 Revere Street
Phila., 49, Pa.
Ma. 4-7570

W3NWP Leo R. Luciani
Carl Mackly Apts. #373
"M" & Bristol Streets
Phila., 24, Pa.
Cu. 9-3545

W3OZF William Miller
7639 Loretta Avenue,
Phila., 11, Pa.
Pi. 5-7880

W3RZU Elio Colusi
910 Bannockburn Ave.,
Aubler, Pa.
Mi. 6-4154

W3SAC Francis D. Brick
829 W. Fishers Avenue,
Phila., 41, Pa.
Da. 4-7524

W3SMK James G.B. Perkins
1335 Jericho Road (Jr.)
Abington, Pa.
Tu. 6-5489

W3TYX Byron McCollum
4631 Princeton Avenue,
Phila., 35, Pa.
De. 8-2892

W3UMI Wilford Jones
542 Fairway Terrace,
Phila., 28, Pa.
Iv. 3-1941

K2UWV William Stackhouse
115 Chestnut Street,
Salem, New Jersey
Salem 2365

W3VER William E. Pawson Jr.
43 Alba Road,
Cl. 9-7736
Willow Grove, Pa.

W3VGN Harvey Coons
625 Locust Lane,
Horsham, Pa.
Os. 5-3180

W3VOC Jack Kessock
9700 Dedaker Street,
Phila., 15, Pa.

W3ZRR Raymond Whitehead
4524 Smedley Street,
Phila., 40, Pa.
Da. 4-5910

W3ZTL Myles Groce
6043 N. 21st Street,
Phila., 38, Pa.
Vi. 4-5376

APR 5 1954

MTA VIEW

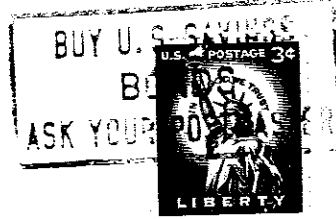
CURTIS W. LINDEN
1838 J ST

1011 N. 13th St

1111 N. 13th St

3200-5-17
Faint, illegible text at the top right of the page.

FRANCIS D. BRICK W3SAD
829 W. FISHERS AVE.
PHILA. 41, PA.



W3KKN Ernest Kenas
2823 Old Welsh Rd.
Willow Grove, Pa.